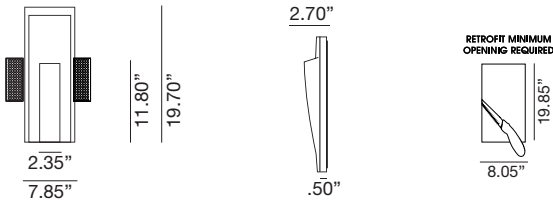


LG-4009

Wall Recessed Steplight LED



Project Information:	Project Name:
Fixture Type:	Location:

HARMONY

The Harmony LED Plaster Recessed Light

Revolutionary Plaster light fixture which allows for a truly seamless and trimless installation. Our fixtures are paintable and texturable using standard paint and paint colors.

LED lighting engine is high performance, low power that provides outstanding reliability and color quality/consistency. 2700K, 3000K color temperatures are available with 90 CRI.

- Life Rated for 40,000 hours at 70% lumen maintenance
- All testing reports are based on published industry procedures

Quick Info



Application New Construction / Remodeling	
Delivered Lumens 340 lm (3W)	Color Quality 90 CRI, 2-step SDCM
Color Temperature 2700K 3000K	Light Distribution Stairway Pathway
Input Voltage 120/277V	Dimming TRIAC
Trims Gypsum Flangeless (seamless)	
Housing Ratings N/A	Module Ratings Wet Location
Guarantee 40,000 hrs 3 years	Additional Dimming Options 0-10 / DALI Dimming / Lutron EcoSystem

LG-4009

Wall Recessed Steplight LED

Project Information:	Project Name:
Fixture Type:	Location:

Ordering Guide

PRODUCT CODE

LG - 4009

Example Number

LG-4009 CL2-3MR 30K 90 38 I

Order Number

LG-4009 CL2-MR11 90 38

MODEL

CL2-3MR - 340 LUM

COLOR TEMPERATURE

27K - 2700K

30K - 3000K (STANDARD)

CRI

90 - 90 CRI

BEAM SPREAD

38°

DIMMING OPTION (Excluded from price)*

T - Triac (STANDARD)

0 - 10

D - Dali

Eco - Hi-lume Premier 0.1% EcoSystem LED driver with soft-on, fade-to-black dimming technology

* REQUIRED - Zone schedule, please include in your request how many lights on each switch leg.

EXAMPLE:

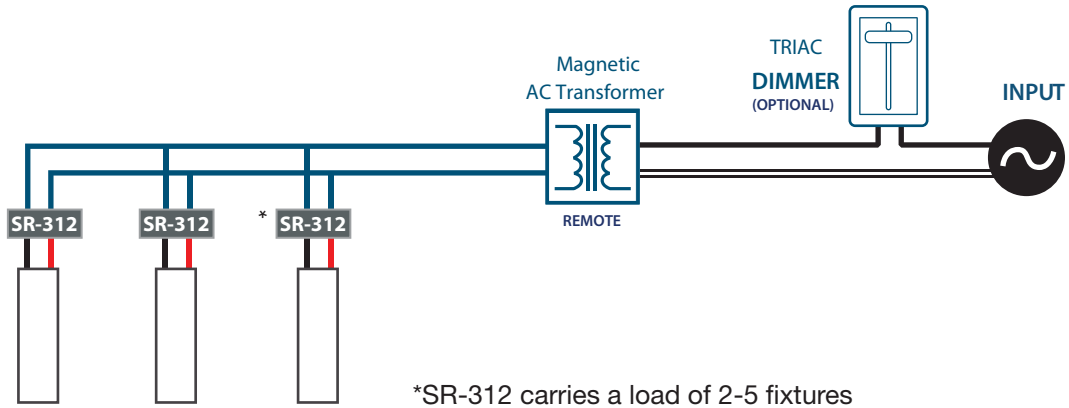
Switch Leg	Fixture Qty
1	12
2	8
3	9
4	5

LG-4009

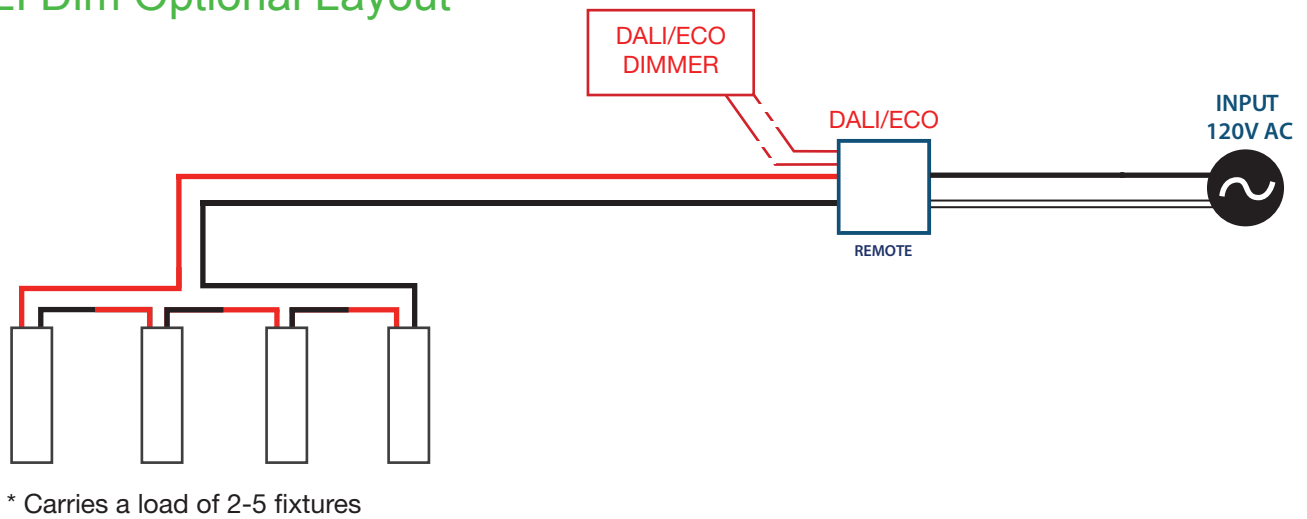
Wall Recessed Steplight LED

Project Information:	Project Name:
Fixture Type:	Location:

TRIAC Dim Optional Layout



DALI Dim Optional Layout



0-10 Dim Optional Layout

