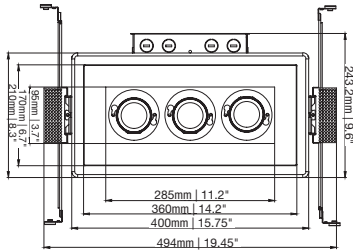


LG-9033

Multiple 3" Adjustable Recessed Downlight LED - Triple



Project Information:	Project Name:
Fixture Type:	Location:

ULTRA BOOST

Plaster Recessed Downlight LED - 1x3 Square

Premium Plaster light fixture which allows for a seamless and trimless installation. Ultra Boost is comprised of aluminum and gypsum, an abundant and stable mineral found in the Earth's crust. We manufacture a solid level 5 plaster finish around the aperture opening, eliminating the need for a mud-in ring. Our two-step application is minimum labor with high level aesthetics. The adjustable light source levitates in powder coated, double pane aluminum housing to conceal all wiring. It can be positioned recessed or flush with the aperture opening. It is available in square and round.

LED lighting engine is high performance, low power that provides outstanding reliability and color quality/consistency. 2700K, 3000K, 3500K, 4000K color temperatures are available with 95 CRI. Warm dim and tunable white are also available.

- Life Rated for 40,000 hours at 70% lumen maintenance
- All testing reports are based on published industry procedures



Quick Info

Application New Construction / Remodeling		
Delivered Lumens 3 x 1250 lm (13W)		Color Quality 95 CRI, 2-step SDCM
Color Temperature 2700K 3000K 3500K	Warm Dim Option 3 x 1800K-3000K 940 lm (13W)	Light Distribution General Wall Wash
Tunable White Option 3 x 2700K-6500K 910 lm (13W)		
Input Voltage 36Vdc		Dimming TRIAC/ ELV
Trims Gypsum Flangeless (seamless)	Material Aluminum - powder coated black Gypsum	Adjustability 30° Max
Housing Ratings IC Rated / Air Tight / CCEA		Module Ratings <input checked="" type="checkbox"/> Wet Location
Guarantee 40,000 hrs 3 years		Additional Dimming Options 0-10 / DALI Dimming / Lutron EcoSystem

LG-9033

Multiple 3" Adjustable
Recessed Downlight LED - Triple

Project Information:	Project Name:
Fixture Type:	Location:

Ordering Guide

PRODUCT CODE

LG - 9033

Example Number

LG-9033 CL2-13MR 30K 38 SFT

Order Number

LG-9033 _____

LED OPTIONS

OUTPUT

- CL2-13MR - 1250 LUM (13W)

COLOR TEMPERATURE

- 27K - 2700K
- 30K - 3000K
- 35K - 3500K

OR

WARM DIM

- CL2 - 13WD - 1800K -3000K 940 LUM (13W)

TUNABLE WHITE

- CL2 - 13TW - 2700K-6500K 910 LUM (13W)

BEAM SPREAD

- 15 °
- 24 °
- 38 ° (STANDARD)
- 60 °

LENS OPTICAL

- HBL - Honeycomb
- SF - Soft Focus
- FR - Frosted
- LS - Linear Spread
- PR - Prismatic

DIMMING OPTION

- T - Triac/ELV (STANDARD)
- D - DALI
- ECO - (Hi - lume Premier 0.1% Eco System LED Driver with Soft-on, Fade-to-black dimming technology)
- 0 - 10

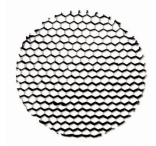
LG-9033

Multiple 3" Adjustable
Recessed Downlight LED - Triple

Project Information:	Project Name:
Fixture Type:	Location:

ACCESSORIES

OPTICAL LENS



Honeycomb Black



Soft Focus



Frosted

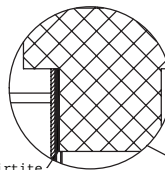
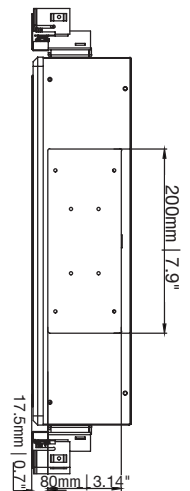
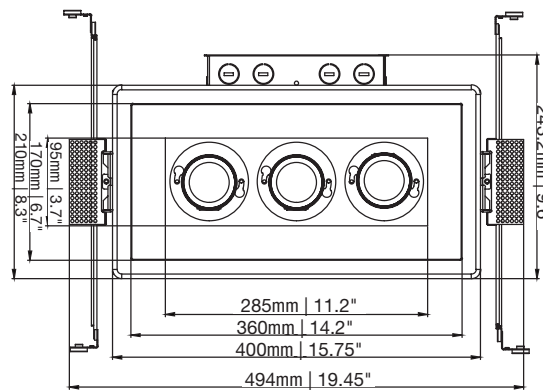
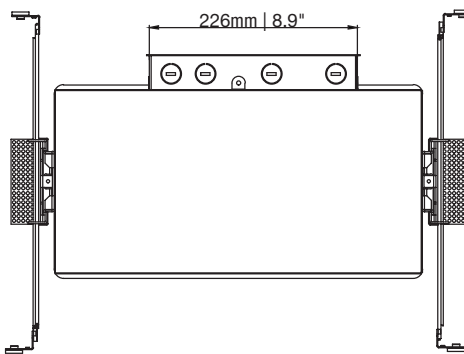


Linear Spread

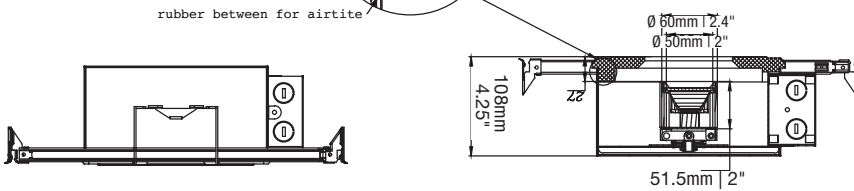


Prismatic

DIMENSIONS



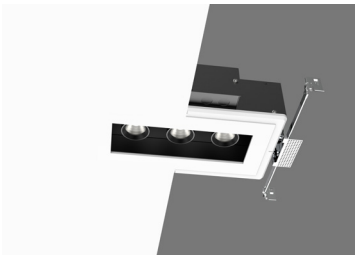
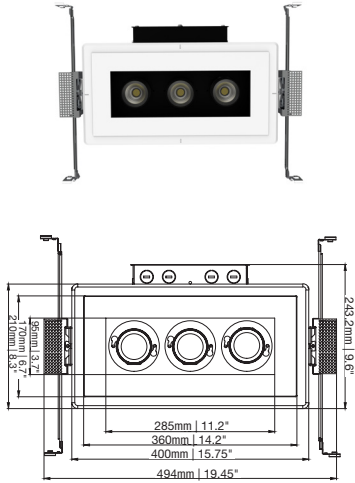
rubber between for airtite



LG-9033

Multiple 3" Adjustable Recessed Downlight LED - Triple

Project Information:	Project Name:
Fixture Type:	Location:



LED TYPE	CL2-13W CITIZEN	Warm Dim CL2-13WD BRIGLUXE	Tunable White CL2-13WT BRIGLUXE
DELIVERED LUMENS	3 x 1250	3 x 940	3 x 910
WATTS	3 x 13W	3 x 13W	3 x 13W
CRI	95		
COLOR TEMPERATURE	2700K / 3000K / 35000K / 4000K	1800K -3000K	2700K -6500K
VOLTAGE	120V / 277V		
DIMMING	<ul style="list-style-type: none"> • TRIAC /ELV (Down to > 1%) - STANDARD • 0 -10 v (Down to > 5%) • Lutron (Hi-lume Premier 0.1 % Eco System LED Driver with Soft-on, Fade-to-black dimming technology) • DALI (Remote) 		
POWER SUPPLY	Constant current driver 36Vdc /350mA	Constant current driver 36Vdc/350mA	Constant current driver 36Vdc /350mA
BEAM SPREAD	15°/24°/38°/60°		
OPTICS	Soft Focus/ Frosted / Linear Spread/ Prismatic		
DIFFUSERS	Honeycomb		
ADJUSTABILITY	Adjustable - 30° Max		
HOUSING	IC RATED/AIR TIGHT/CCEA (CHICAGO PLEANUM)		
FINISH	GYPSUM/SEAMLESS		
MATERIAL	Aluminum - powder coated black		

Product Features

- Revolutionary flush mounted, trimless & seamless design
- Made out of Environmentally Friendly Plaster Materials
- Energy efficient LED light engines
- Dimmable with a variety of commonly used drivers
- Fixtures can be used with all Smart House Systems such as Lutron, Vantage, Control 4, Crestron and others
- Wet Location rated