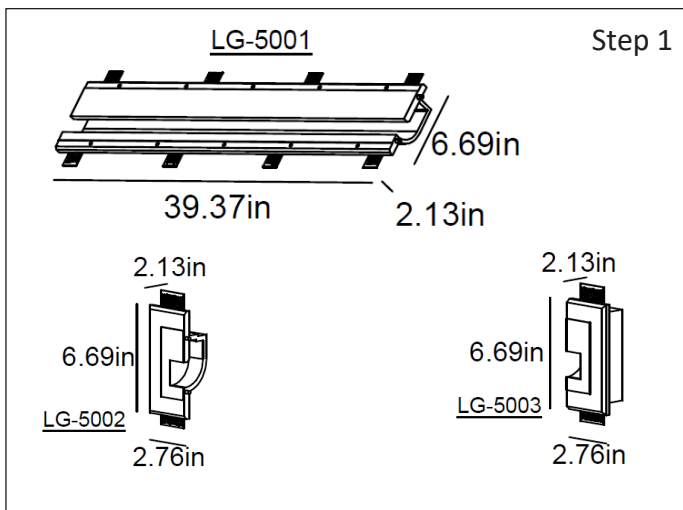


INSTALLATION INSTRUCTIONS

PREPARING THE LUMINAIRE

RECESSED LINEAR COVE LUMINAIRE:
Model: LG-5001 RECESSED LINEAR COVE

SAVE THESE INSTRUCTIONS



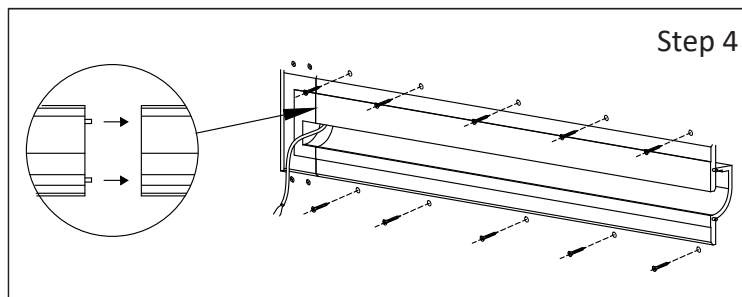
Step 1

READ AND UNDERSTAND ALL INSTRUCTIONS BEFORE INSTALLATION. IF YOU ARE NOT FAMILIAR WITH THE NATIONAL ELECTRICAL CODE (NEC), CONTACT A QUALIFIED ELECTRICIAN TO INSTALL THIS LUMINAIRE.

WARNING - Before installing this luminaire or doing any maintenance, turn off the power supply at the circuit breaker or fuse box. Turning the power off using the light switch is not sufficient to prevent electrical shock.

NOTE:

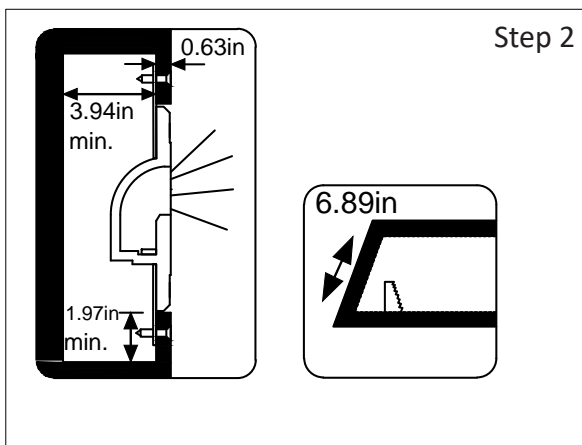
To re-lamp, replacement parts or additional information, contact or visit manufacturer at www.lightandgreen.com.



Step 4

Step 1 - Luminaire Parts and Tools for Installation:

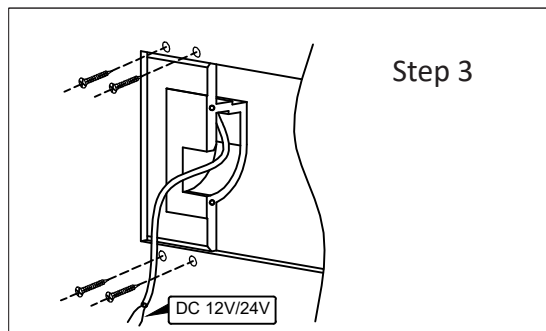
a. Unpack all Fixture Part and get to know them for easy Installation.



Step 2

Step 2 -

- a. Create a pocket with the min depth of 3.94 inches by 10.83 in wide by 44.89 in Length
- b. create aperture 40.63 by 6.69



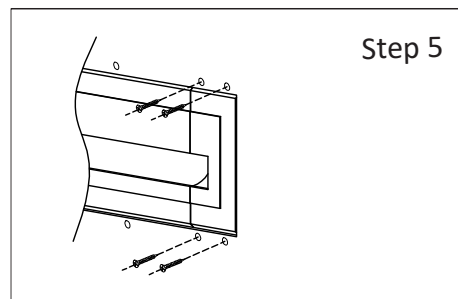
Step 3

Step 3 - Install Recessed Linear Cove to Wall or Ceiling

- a. Align the LG-5002 between wood joist and secure with screws through nailing fins.
- b. Run DC 12v/24v wires from remote driver through hole in LG-5002.

Step 4 - Install Linear Cove to Wall or Ceiling

- a. Align the pins on LG-5001to the pin holes in LG-5002.
- b. Once the two pieces are flush between wood joist and secure with screws through nailing fins.



Step 5

Step 5 - Install the Driver:

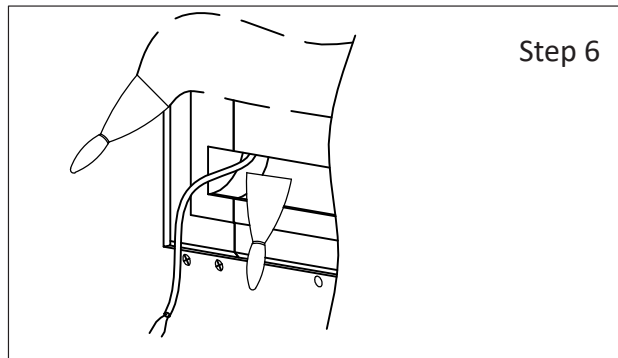
- a. Align the pins on LG-5001to the pin holes in LG-5002.
- b. Once the two pieces are flush between wood joist and secure with screws through nailing fins.

INSTALLATION INSTRUCTIONS

PREPARING THE LUMINAIRE

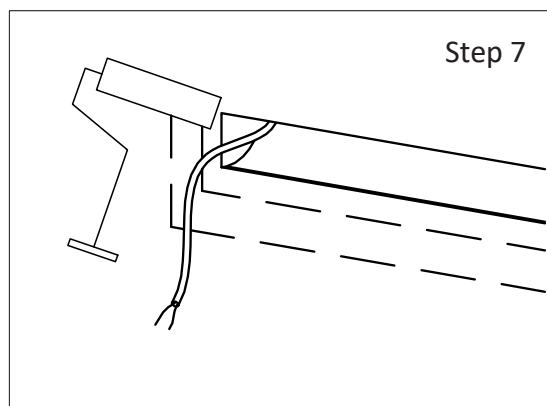
RECESSED LINEAR COVE LUMINAIRE:

Model: LG-5001 RECESSED LINEAR COVE



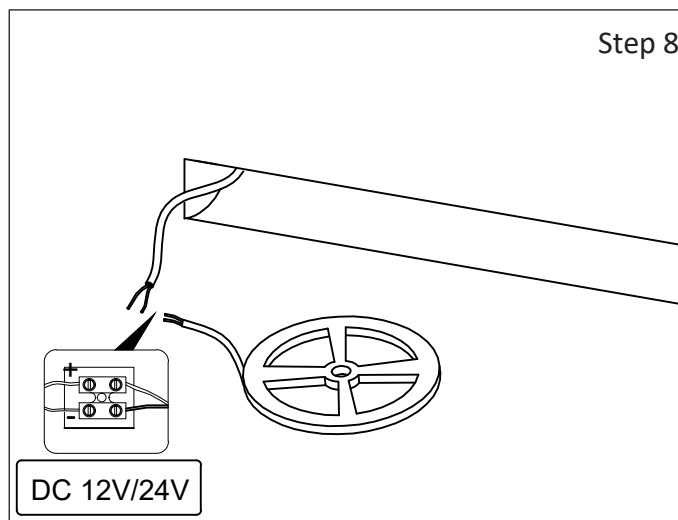
Step 6 - Plastering Wall Cut-Out with fixture

- Apply mudding tape to the outer area, making to leave the opening free.
- Mud over the mudding tape, avoiding the opening (APERTURE). Remove excess mud from the opening using finger or blunt object, reestablishing the shape of the opening. Repeat this step until your reach desired texture



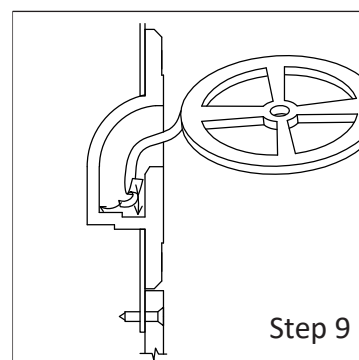
Step 7 - Paint

- Once Plastering is complete paint wall



Step 8 -

- Attach LED to power supple. Positive (red) to positive. negative (black) to negative. This is done Via wire terminal or wire nut
*wire terminal shown.



Step 9 - Install LED Strip

- Conceal wire connection with in the cove
- Once LED attach unwind and flat with in the cove cut after having approximate length required