

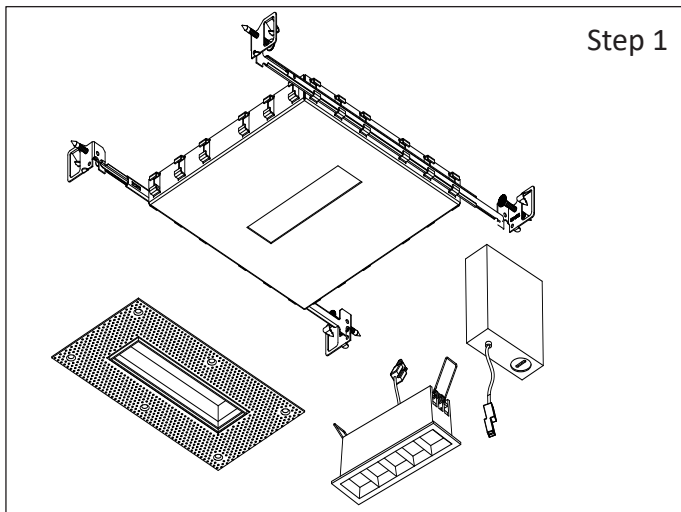
# INSTALLATION INSTRUCTIONS

## PREPARING THE LUMINAIRE

NARROW RECESSED DOWN LIGHT:

Model: LG-7005TL - 1X5 NARROWLINE TRIMLESS SQUARE DOWNLIGHT

**SAVE THESE INSTRUCTIONS**



Step 1

READ AND UNDERSTAND ALL INSTRUCTIONS BEFORE INSTALLATION. IF YOU ARE NOT FAMILIAR WITH THE NATIONAL ELECTRICAL CODE (NEC), CONTACT A QUALIFIED ELECTRICIAN TO INSTALL THIS LUMINAIRE.

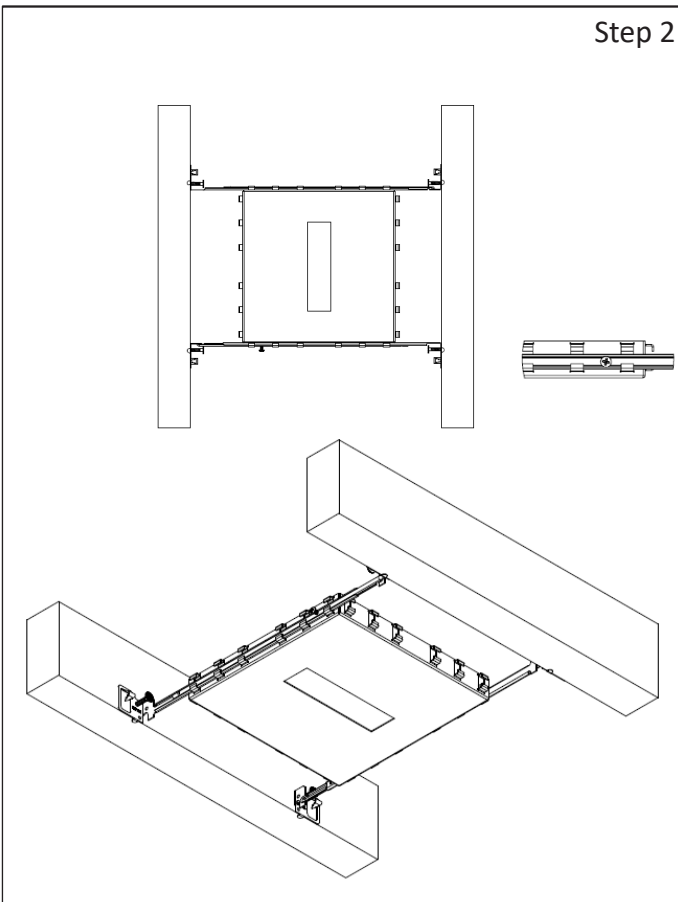
**WARNING** - Before installing this luminaire or doing any maintenance, turn off the power supply at the circuit breaker or fuse box. Turning the power off using the light switch is not sufficient to prevent electrical shock.

### NOTE:

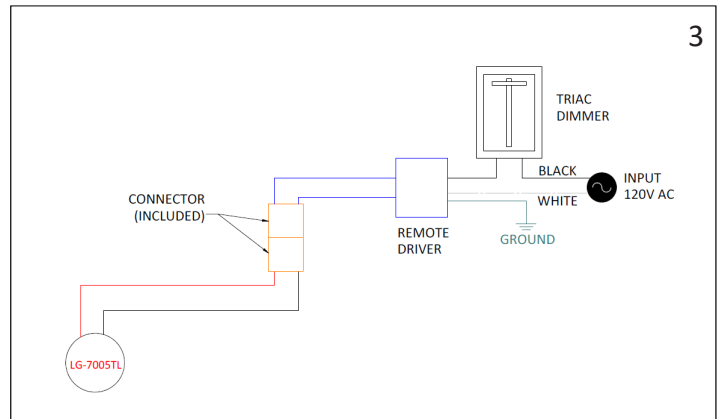
To re-lamp, replacement parts or additional information, contact or visit manufacturer at [www.lightandgreen.com](http://www.lightandgreen.com)

### Step 1 - Luminaire Parts and Tools for Installation:

a. Unpack all Fixture part and get to know them for easy Installation.



Step 2



3

### Step 3 - Install Remote Transformer or Led Driver:

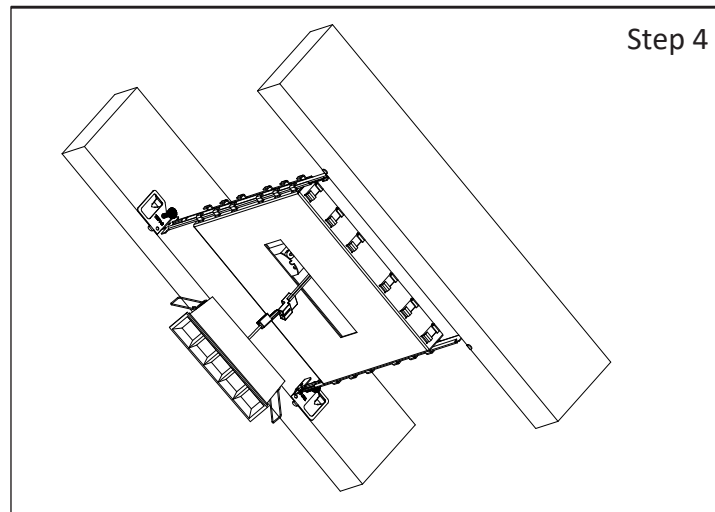
a. Wire 120V AC to Driver per above diagram.

b. Pull Led leads through aperture of fixture.

\*can sit on top of hanger bar

### Step 2 - Align Hanger Bar to Wood Joist:

- Select the location to Install this Fixture on Ceiling.
- Place Hanger Bar to Wood Joist and secure using the captive Nails.
- Adjust hanger bar to desire location and lock position using screw (provided).



Step 4

### Step 4 - Test Led Trim fixture

- After pulling Led lead.
- Indicate the (Quick Connector) that comes with the led and connect to driver; (red wire to red wire & black wire to black wire).
- Connect the LED Light and turn Switch On to make sure it lights.
- Disconnect the Led Trim and save until STEP 10.

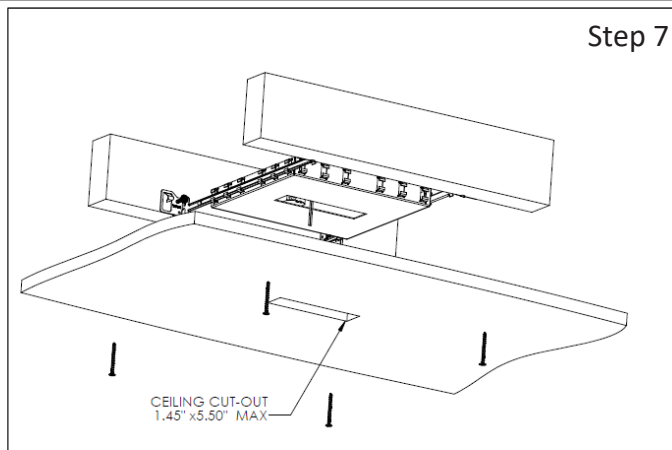
# INSTALLATION INSTRUCTIONS

## PREPARING THE LUMINAIRE

NARROW RECESSED DOWN LIGHT:

Model:7005TL - 1X5 NARROWLINE TRIMLESS SQUARE DOWNLIGHT

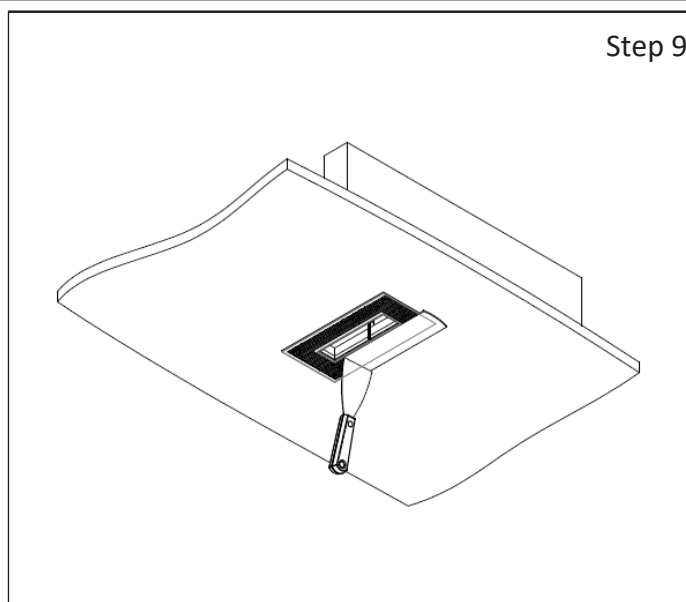
**SAVE THESE INSTRUCTIONS**



Step 7

### Step 7 - Cut-Out Dry-wall and Install to Ceiling Joist:

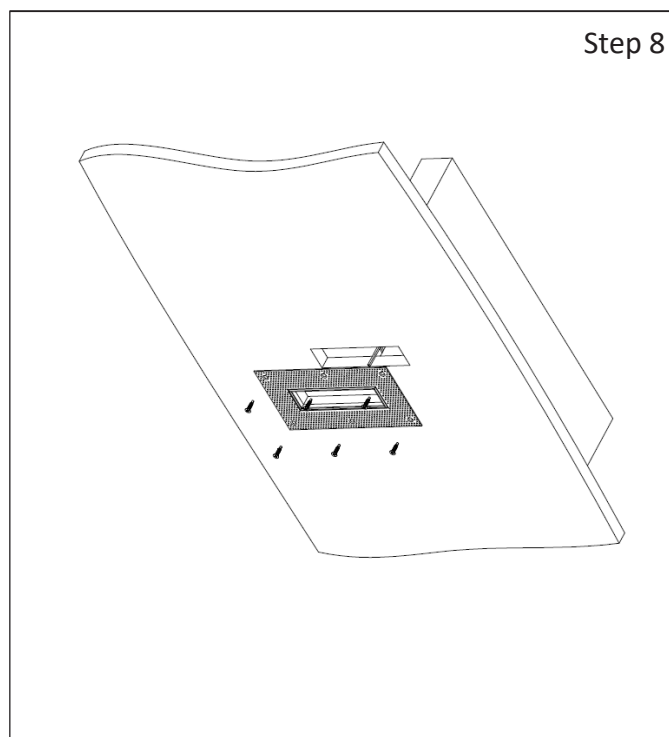
- Mark the Fixture location on Dry-wall "Sheet" and cut-out.
- Align the Cut-out with hanger bar cut-out and secure drywall
- Make sure that the fixture is flush to drywall.



Step 9

### Step 9 - Plaster mesh and paint

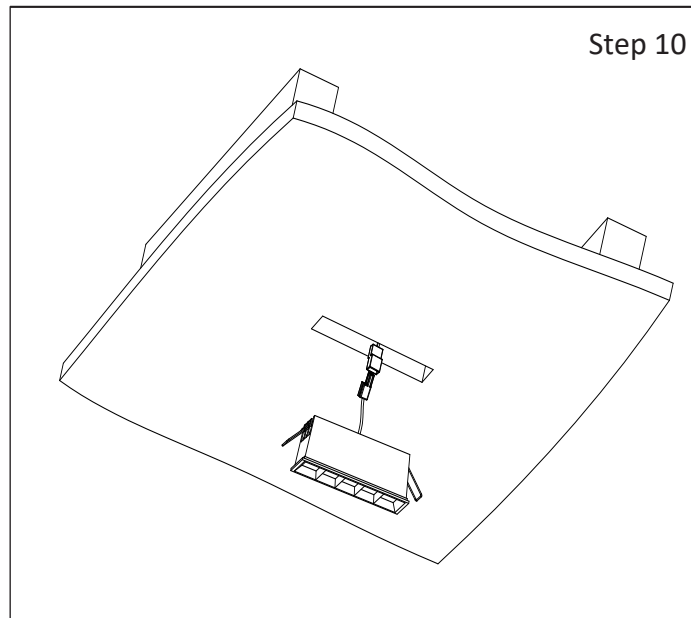
- Apply mudding tape to the mesh.
- Apply mud over the mudding tape, avoiding the opening (APERTURE). Remove excess mud from the opening using making sure to reestablishing the shape of the opening if needed. Repeat this step until your reach desired texture
- Paint Walls to match Ceiling Paint Finish.



Step 8

### Step 8 - Attach mesh to the drywall

- Insert the mesh in the hole
- secure mesh in place with the six (6) screws that will go trough the drywall into the metal plate.



Step 10

### Step 10 Connect & Insert Trim

- Connect Led trim to leads.
- Open mouse trap springs and insert trim in ceiling/ plaster frame

# INSTALLATION INSTRUCTIONS

## PREPARING THE LUMINAIRE

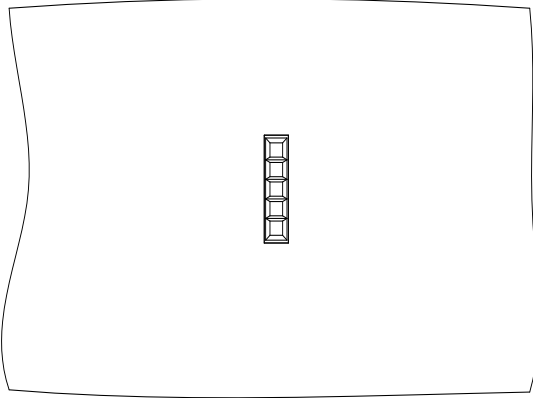
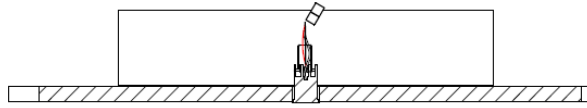
NARROW RECESSED DOWN LIGHT:

Model:7005TL - 1X5 NARROWLINE TRIMLESS SQUARE DOWNLIGHT

**SAVE THESE INSTRUCTIONS**

FINAL INSTALLATION

Step11



### Step 11 Finalize Installation

- a. Test Fixture to confirm it operates properly.

