

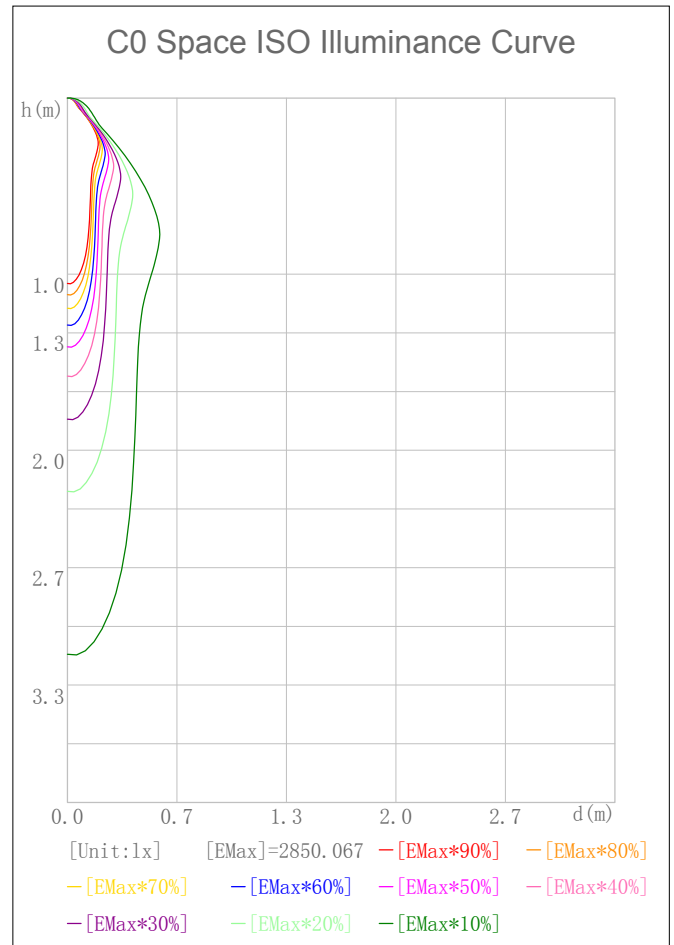
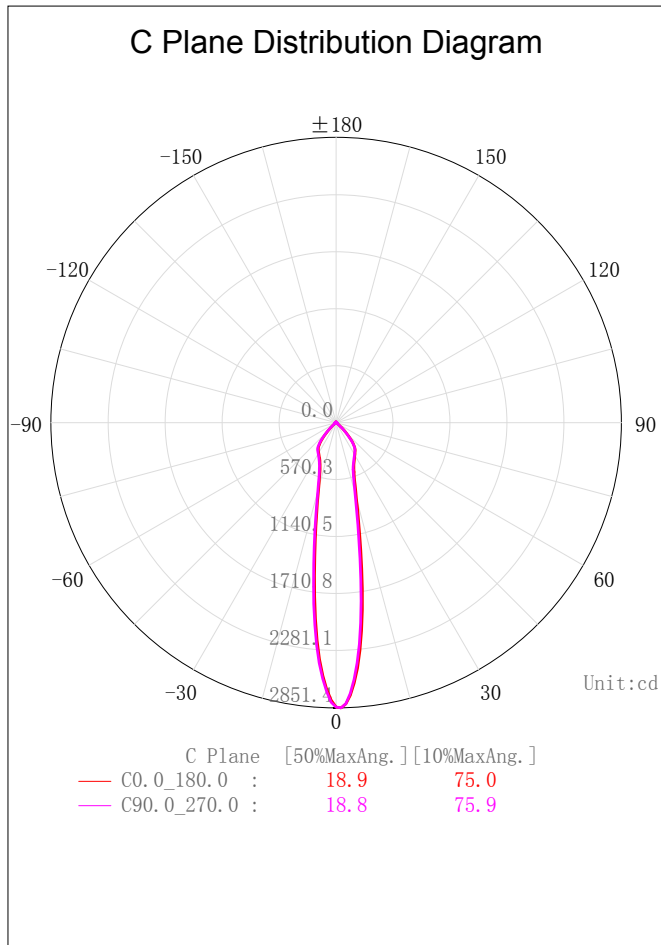
Indoor Luminaire Photometric Data

Description Information

Luminary Name: CL2-13TW 2700K RA90 Reflector 15D		Lum. Catalog:	Test ID: 01
Lamp Name:		Lamp Catalog: LED	Test Date: 2020/01/08
Manufacture:		Shld. Ang(°):	Test Machine:GON-2000
Test Lab: QUality peatment	Frequency (Hz):		Lamp CCT(K): Ra:
Lum. Size (W*L*H): 0.498m*0.498m*0.750m		Lum. Area (m2): 0.622	Lum. W(kg): 0.000
Test System: C, γ	Test Step: C=90.0 γ=1.0	Temp. (°C): 25	Humidity(%):

Character Parameter

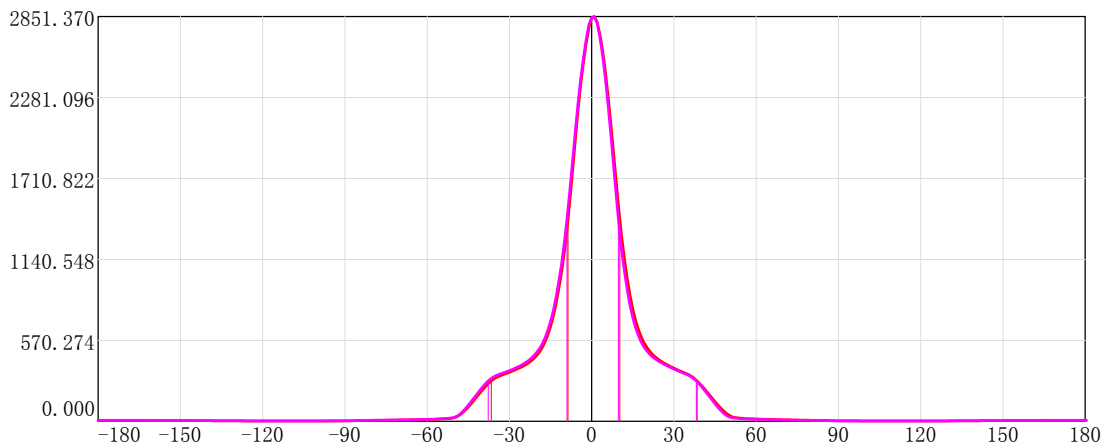
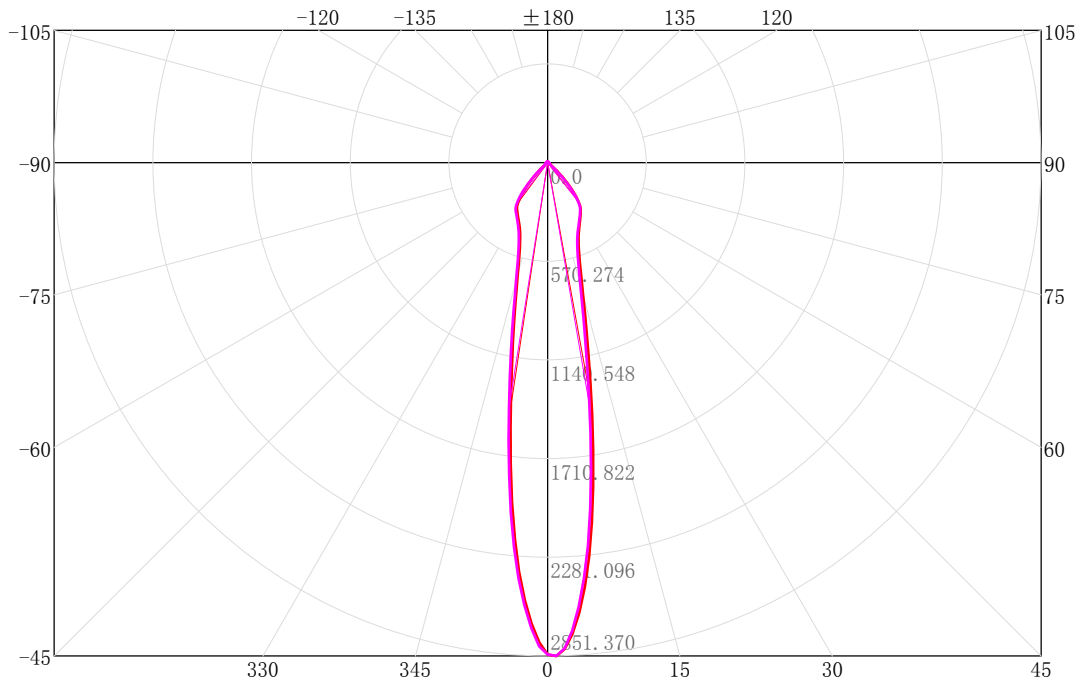
Lamp Speciality Parameter	Luminaire Speciality Parameter	
Rated Flux(lm): 954.250	Luminary Flux(lm): 954.245	Field Angle(10%Imax): 75.0(°)
Rated Power(W):	Luminary Efficiency: 100.00%	Down Lumens&Percent: 926.851lm 97.13%
Rated Voltage(V):	Luminary EER(lm/W): 91.403	Up Lumens&Percent: 27.395lm 2.87%
Tested Power(W): 10.440	Max. Candela(cd): 2851.370	S/MH: C0_a180=0.323 C90_270=0.321
Lamps' Inside: 1	Max Cand@Ang. (°): C=0.0 γ=1.0	CIE Type: Semi-Direct
Tested Electrics (V, A, pf): 34.8, 0.299	Beam Angle(50%Imax): 18.9(°)	ErP φ use(90°): 844.970lm
Lamp Size (W*L*H): 0.498m*0.498m*0.750m	Left=-8.6°, Right=10.3°	IRF(%): 645.945



2D Plane Light Intensity Distribution Curve

Lum. Name: CL2-13TW 2700K RA90 Reflector 15D	Lum. Catalog:	Test ID: 01
Lamp Name:	Lamp Catalog: LED	Test Lab: Quality peatment
Manufacture:	Test Machine:GON-2000	Test Date: 2020/01/08

C Plane Distribution Diagram

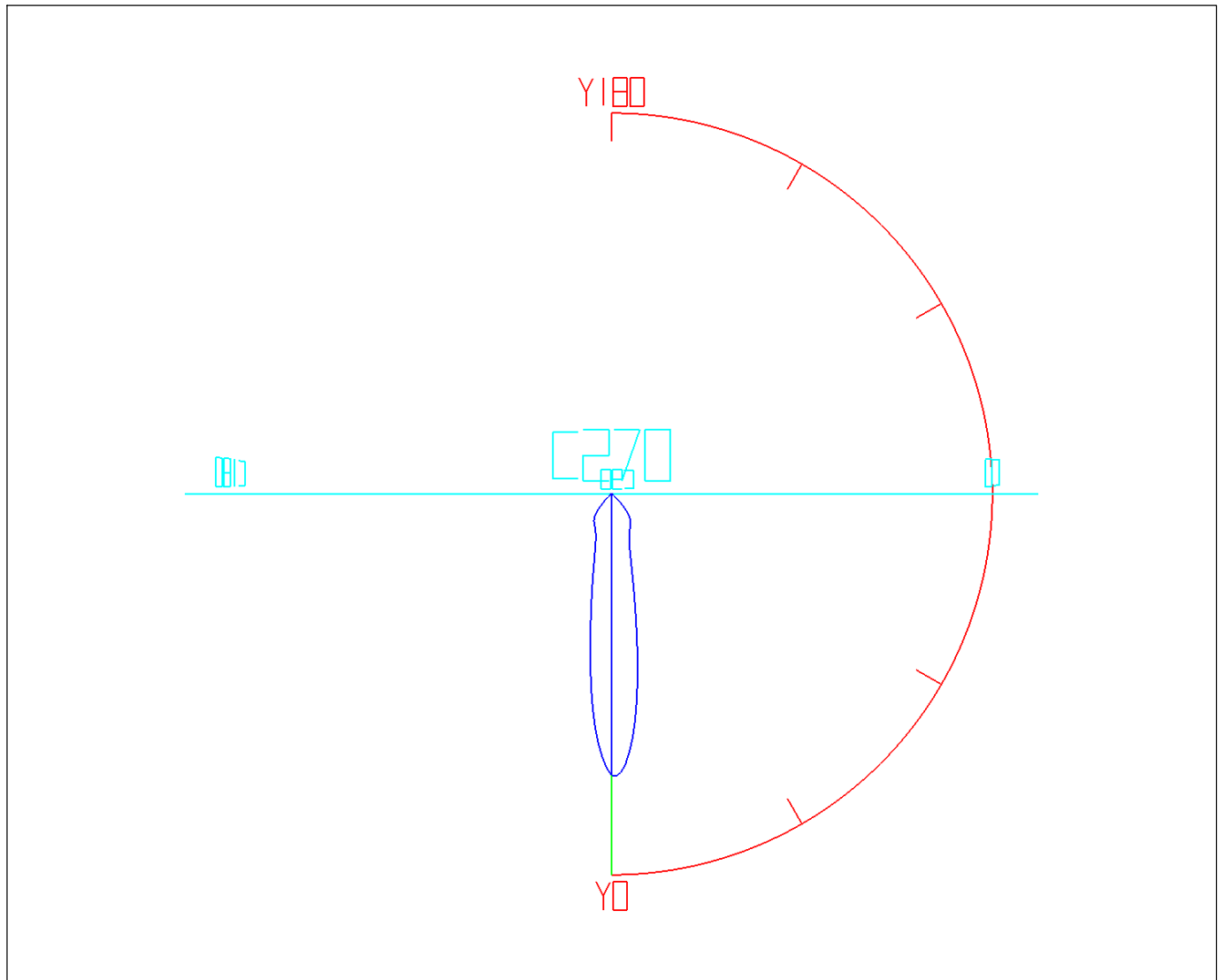


C Plane	[50%MaxAng.]	[10%MaxAng.]	Unit:cd
— C0.0_180.0 :	18.9	75.0	
— C90.0_270.0 :	18.8	75.9	

3D Light Intensity Distribution Modal

Lum. Name: CL2-13TW 2700K RA90 Reflector 15D	Lum. Catalog:	Test ID: 01
Lamp Name:	Lamp Catalog: LED	Test Lab: Quality peatment
Manufacture:	Test Machine:GON-2000	Test Date: 2020/01/08

3D Light Intensity Distribution Modal



Curves: 3D Model ——— Fixture ——— Vert. HUD ——— Hori. HUD ———
 View Angles: Orient:0 Tilt:0 Roll:0 Spin:0

IES Indoor Report

Photometric Filename:CL2-13TW 2700K RA90 Reflector 15D.IES

Zonal Flux Tabulation

Zone(γ)	Zone Flux (lm)	Sums Flux (lm)	Zone%Lamp	Sums%Lamp	Zone(γ)	Zone Flux (lm)	Sums Flux (lm)	Zone%Lamp	Sums%Lamp
0.0-1.0	2.71	2.71	0.28	0.28	47.0-48.0	5.49	872.12	0.57	91.39
1.0-2.0	7.98	10.69	0.84	1.12	48.0-49.0	4.23	876.35	0.44	91.84
2.0-3.0	12.86	23.55	1.35	2.47	49.0-50.0	3.23	879.58	0.34	92.18
3.0-4.0	17.15	40.69	1.80	4.26	50.0-51.0	2.54	882.13	0.27	92.44
4.0-5.0	20.69	61.39	2.17	6.43	51.0-52.0	2.17	884.30	0.23	92.67
5.0-6.0	23.39	84.78	2.45	8.88	52.0-53.0	1.98	886.28	0.21	92.88
6.0-7.0	25.15	109.93	2.64	11.52	53.0-54.0	1.86	888.14	0.20	93.07
7.0-8.0	26.02	135.95	2.73	14.25	54.0-55.0	1.77	889.91	0.19	93.26
8.0-9.0	26.13	162.08	2.74	16.98	55.0-56.0	1.69	891.60	0.18	93.43
9.0-10.0	25.67	187.75	2.69	19.68	56.0-57.0	1.62	893.22	0.17	93.60
10.0-11.0	24.87	212.62	2.61	22.28	57.0-58.0	1.56	894.78	0.16	93.77
11.0-12.0	23.90	236.52	2.50	24.79	58.0-59.0	1.51	896.29	0.16	93.93
12.0-13.0	22.87	259.39	2.40	27.18	59.0-60.0	1.46	897.75	0.15	94.08
13.0-14.0	21.87	281.26	2.29	29.47	60.0-61.0	1.42	899.17	0.15	94.23
14.0-15.0	20.96	302.22	2.20	31.67	61.0-62.0	1.38	900.55	0.14	94.37
15.0-16.0	20.20	322.42	2.12	33.79	62.0-63.0	1.34	901.89	0.14	94.51
16.0-17.0	19.60	342.02	2.05	35.84	63.0-64.0	1.31	903.20	0.14	94.65
17.0-18.0	19.13	361.15	2.01	37.85	64.0-65.0	1.27	904.47	0.13	94.78
18.0-19.0	18.81	379.96	1.97	39.82	65.0-66.0	1.24	905.71	0.13	94.91
19.0-20.0	18.61	398.58	1.95	41.77	66.0-67.0	1.20	906.91	0.13	95.04
20.0-21.0	18.53	417.10	1.94	43.71	67.0-68.0	1.17	908.08	0.12	95.16
21.0-22.0	18.54	435.64	1.94	45.65	68.0-69.0	1.14	909.23	0.12	95.28
22.0-23.0	18.62	454.26	1.95	47.60	69.0-70.0	1.12	910.34	0.12	95.40
23.0-24.0	18.75	473.01	1.97	49.57	70.0-71.0	1.09	911.43	0.11	95.51
24.0-25.0	18.91	491.93	1.98	51.55	71.0-72.0	1.06	912.49	0.11	95.62
25.0-26.0	19.09	511.02	2.00	53.55	72.0-73.0	1.04	913.53	0.11	95.73
26.0-27.0	19.27	530.29	2.02	55.57	73.0-74.0	1.01	914.54	0.11	95.84
27.0-28.0	19.45	549.74	2.04	57.61	74.0-75.0	0.98	915.53	0.10	95.94
28.0-29.0	19.62	569.36	2.06	59.67	75.0-76.0	0.96	916.48	0.10	96.04
29.0-30.0	19.78	589.14	2.07	61.74	76.0-77.0	0.93	917.42	0.10	96.14
30.0-31.0	19.93	609.07	2.09	63.83	77.0-78.0	0.91	918.32	0.10	96.23
31.0-32.0	20.07	629.14	2.10	65.93	78.0-79.0	0.88	919.21	0.09	96.33
32.0-33.0	20.19	649.33	2.12	68.05	79.0-80.0	0.87	920.07	0.09	96.42
33.0-34.0	20.27	669.60	2.12	70.17	80.0-81.0	0.85	920.92	0.09	96.51
34.0-35.0	20.28	689.88	2.13	72.30	81.0-82.0	0.83	921.75	0.09	96.59
35.0-36.0	20.17	710.05	2.11	74.41	82.0-83.0	0.80	922.55	0.08	96.68
36.0-37.0	19.86	729.91	2.08	76.49	83.0-84.0	0.76	923.31	0.08	96.76
37.0-38.0	19.29	749.20	2.02	78.51	84.0-85.0	0.72	924.04	0.08	96.83
38.0-39.0	18.47	767.67	1.94	80.45	85.0-86.0	0.67	924.71	0.07	96.90
39.0-40.0	17.44	785.12	1.83	82.28	86.0-87.0	0.61	925.32	0.06	96.97
40.0-41.0	16.22	801.34	1.70	83.98	87.0-88.0	0.55	925.87	0.06	97.03
41.0-42.0	14.83	816.16	1.55	85.53	88.0-89.0	0.50	926.37	0.05	97.08
42.0-43.0	13.30	829.46	1.39	86.92	89.0-90.0	0.48	926.85	0.05	97.13
43.0-44.0	11.70	841.17	1.23	88.15	90.0-91.0	0.46	927.31	0.05	97.18
44.0-45.0	10.08	851.24	1.06	89.21	91.0-92.0	0.45	927.77	0.05	97.22
45.0-46.0	8.47	859.71	0.89	90.09	92.0-93.0	0.44	928.21	0.05	97.27
46.0-47.0	6.92	866.63	0.73	90.82	93.0-94.0	0.43	928.64	0.05	97.32

IES Indoor Report

Photometric Filename:CL2-13TW 2700K RA90 Reflector 15D.IES

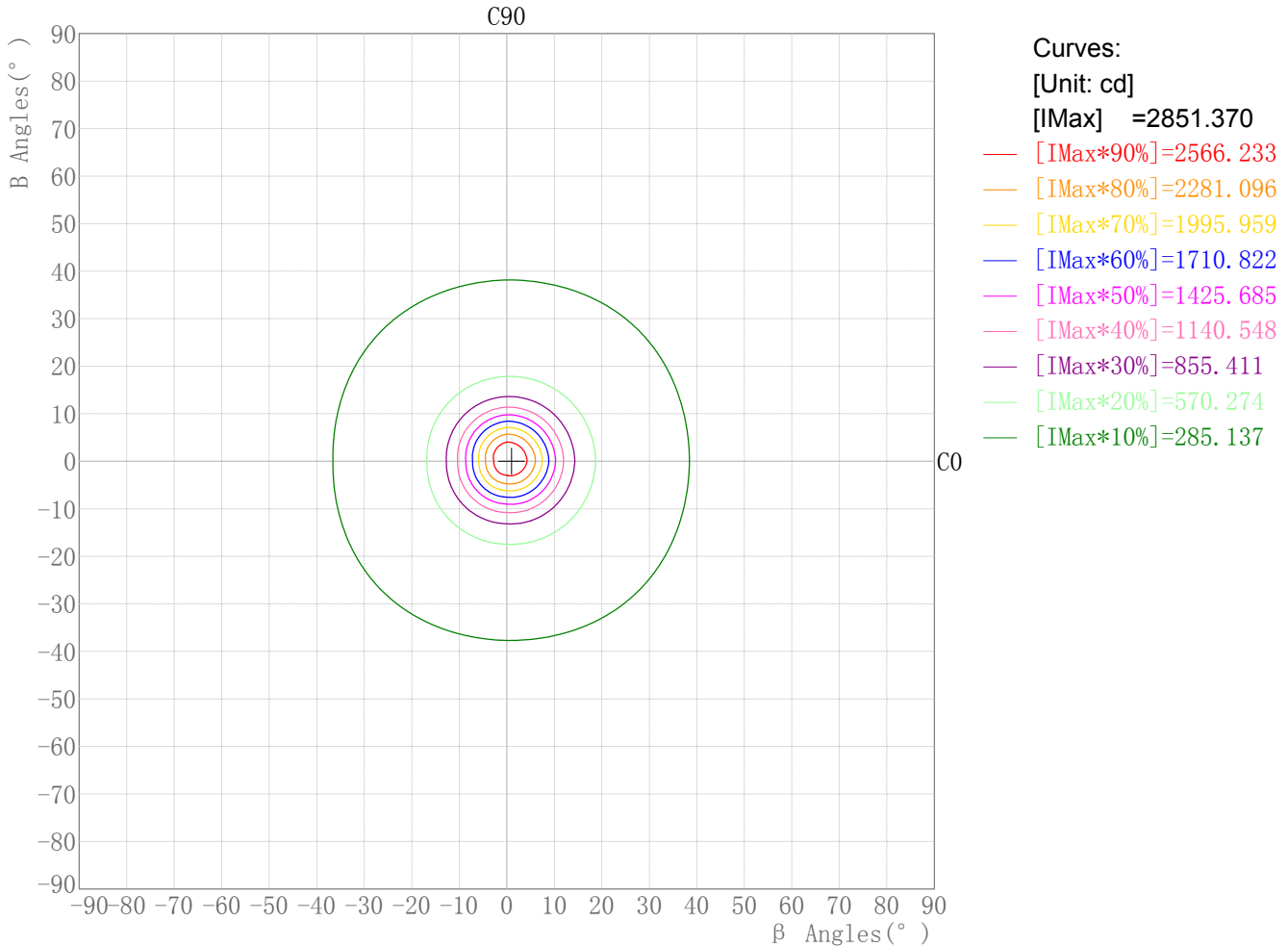
Zonal Flux Tabulation - (Cont.)

Zone (γ)	Zone Flux (lm)	Sums Flux (lm)	Zone%Lamp	Sums%Lamp	Zone (γ)	Zone Flux (lm)	Sums Flux (lm)	Zone%Lamp	Sums%Lamp
94.0-95.0	0.42	929.06	0.04	97.36	141.0-142.0	0.36	945.46	0.04	99.08
95.0-96.0	0.41	929.48	0.04	97.40	142.0-143.0	0.36	945.82	0.04	99.12
96.0-97.0	0.40	929.88	0.04	97.45	143.0-144.0	0.36	946.18	0.04	99.15
97.0-98.0	0.40	930.28	0.04	97.49	144.0-145.0	0.36	946.55	0.04	99.19
98.0-99.0	0.39	930.67	0.04	97.53	145.0-146.0	0.36	946.91	0.04	99.23
99.0-100.0	0.38	931.05	0.04	97.57	146.0-147.0	0.36	947.27	0.04	99.27
100.0-101.0	0.38	931.43	0.04	97.61	147.0-148.0	0.36	947.62	0.04	99.31
101.0-102.0	0.37	931.80	0.04	97.65	148.0-149.0	0.35	947.97	0.04	99.34
102.0-103.0	0.37	932.16	0.04	97.69	149.0-150.0	0.35	948.32	0.04	99.38
103.0-104.0	0.36	932.52	0.04	97.72	150.0-151.0	0.34	948.67	0.04	99.41
104.0-105.0	0.36	932.88	0.04	97.76	151.0-152.0	0.34	949.00	0.04	99.45
105.0-106.0	0.35	933.24	0.04	97.80	152.0-153.0	0.33	949.33	0.03	99.48
106.0-107.0	0.35	933.59	0.04	97.83	153.0-154.0	0.32	949.66	0.03	99.52
107.0-108.0	0.35	933.93	0.04	97.87	154.0-155.0	0.32	949.97	0.03	99.55
108.0-109.0	0.35	934.28	0.04	97.91	155.0-156.0	0.31	950.28	0.03	99.58
109.0-110.0	0.34	934.62	0.04	97.94	156.0-157.0	0.30	950.58	0.03	99.62
110.0-111.0	0.34	934.96	0.04	97.98	157.0-158.0	0.29	950.87	0.03	99.65
111.0-112.0	0.34	935.30	0.04	98.01	158.0-159.0	0.28	951.15	0.03	99.68
112.0-113.0	0.34	935.64	0.04	98.05	159.0-160.0	0.27	951.42	0.03	99.70
113.0-114.0	0.34	935.98	0.04	98.09	160.0-161.0	0.26	951.68	0.03	99.73
114.0-115.0	0.34	936.31	0.04	98.12	161.0-162.0	0.25	951.93	0.03	99.76
115.0-116.0	0.33	936.65	0.03	98.16	162.0-163.0	0.24	952.17	0.03	99.78
116.0-117.0	0.33	936.98	0.03	98.19	163.0-164.0	0.23	952.40	0.02	99.81
117.0-118.0	0.33	937.31	0.03	98.22	164.0-165.0	0.22	952.62	0.02	99.83
118.0-119.0	0.33	937.64	0.03	98.26	165.0-166.0	0.20	952.82	0.02	99.85
119.0-120.0	0.33	937.97	0.03	98.29	166.0-167.0	0.19	953.01	0.02	99.87
120.0-121.0	0.33	938.30	0.03	98.33	167.0-168.0	0.18	953.19	0.02	99.89
121.0-122.0	0.33	938.63	0.03	98.36	168.0-169.0	0.17	953.36	0.02	99.91
122.0-123.0	0.33	938.96	0.03	98.40	169.0-170.0	0.15	953.51	0.02	99.92
123.0-124.0	0.33	939.29	0.03	98.43	170.0-171.0	0.14	953.65	0.01	99.94
124.0-125.0	0.33	939.62	0.03	98.47	171.0-172.0	0.12	953.77	0.01	99.95
125.0-126.0	0.33	939.95	0.03	98.50	172.0-173.0	0.11	953.88	0.01	99.96
126.0-127.0	0.33	940.29	0.03	98.54	173.0-174.0	0.10	953.98	0.01	99.97
127.0-128.0	0.33	940.62	0.03	98.57	174.0-175.0	0.08	954.06	0.01	99.98
128.0-129.0	0.33	940.95	0.03	98.61	175.0-176.0	0.07	954.13	0.01	99.99
129.0-130.0	0.33	941.28	0.04	98.64	176.0-177.0	0.05	954.18	0.01	99.99
130.0-131.0	0.34	941.62	0.04	98.68	177.0-178.0	0.04	954.22	0.00	100.00
131.0-132.0	0.34	941.96	0.04	98.71	178.0-179.0	0.02	954.24	0.00	100.00
132.0-133.0	0.34	942.30	0.04	98.75	179.0-180.0	0.01	954.25	0.00	100.00
133.0-134.0	0.34	942.64	0.04	98.78					
134.0-135.0	0.34	942.98	0.04	98.82					
135.0-136.0	0.35	943.33	0.04	98.86					
136.0-137.0	0.35	943.68	0.04	98.89					
137.0-138.0	0.35	944.03	0.04	98.93					
138.0-139.0	0.35	944.39	0.04	98.97					
139.0-140.0	0.36	944.74	0.04	99.00					
140.0-141.0	0.36	945.10	0.04	99.04					

Rectangle ISO Lighting Intensity Diagram

Lum. Name: CL2-13TW 2700K RA90 Reflector 15D	Lum. Catalog:	Test ID: 01
Lamp Name:	Lamp Catalog: LED	Test Lab: Quality peatment
Manufacture:	Test Machine:GON-2000	Test Date: 2020/01/08

ISO Lighting Intensity Curve

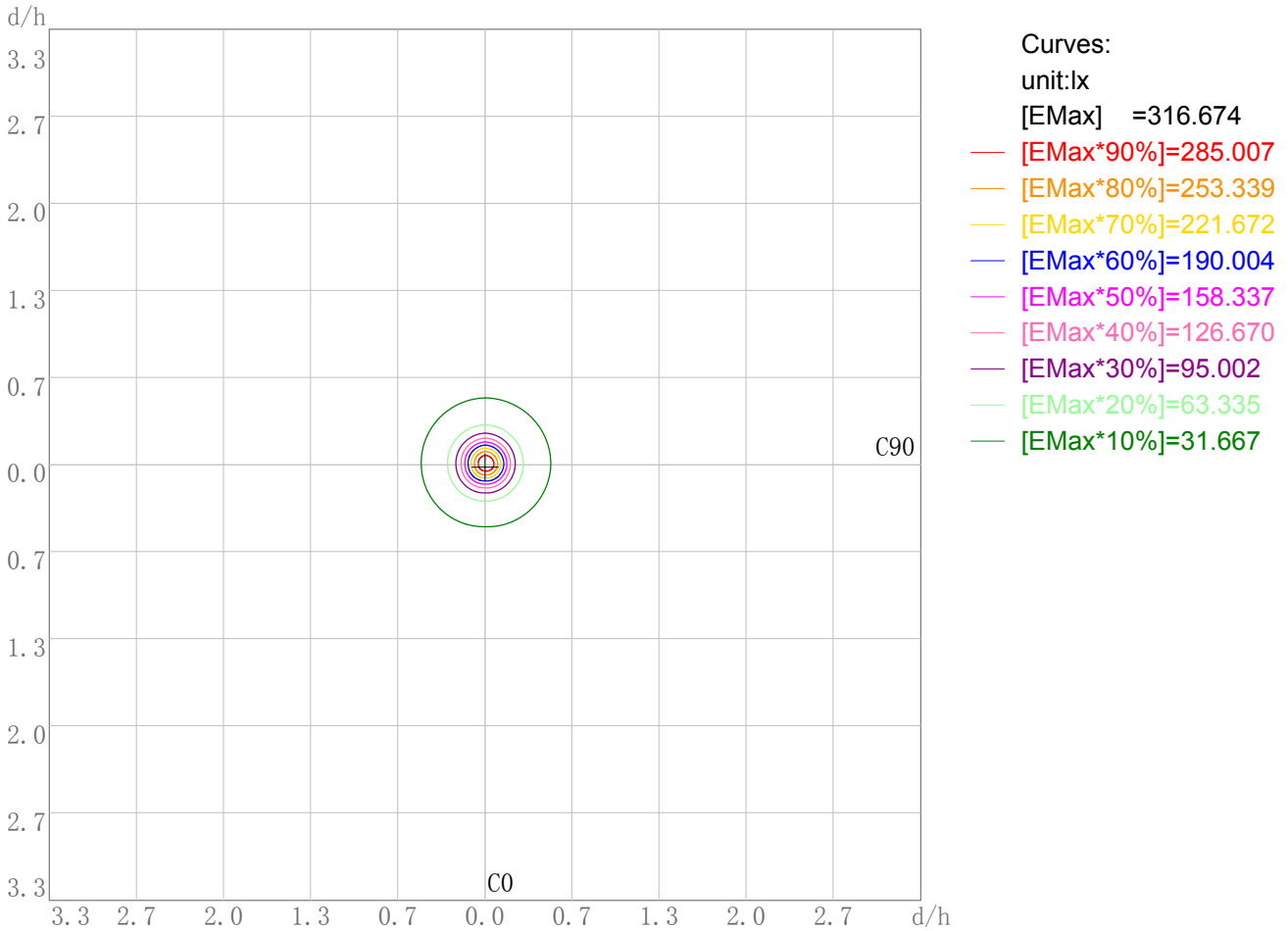


Maximum Light Intensity(cd): 2851.37
 Maximum Cand.@Angle: H=1.0°,V=0.0°

Plane ISO-Illuminance Diagram

Lum. Name: CL2-13TW 2700K RA90 Reflector 15D	Lum. Catalog:	Test ID: 01
Lamp Name:	Lamp Catalog: LED	Test Lab: Quality peatment
Manufacture:	Test Machine:GON-2000	Test Date: 2020/01/08

Plane ISO-Illuminance Curve

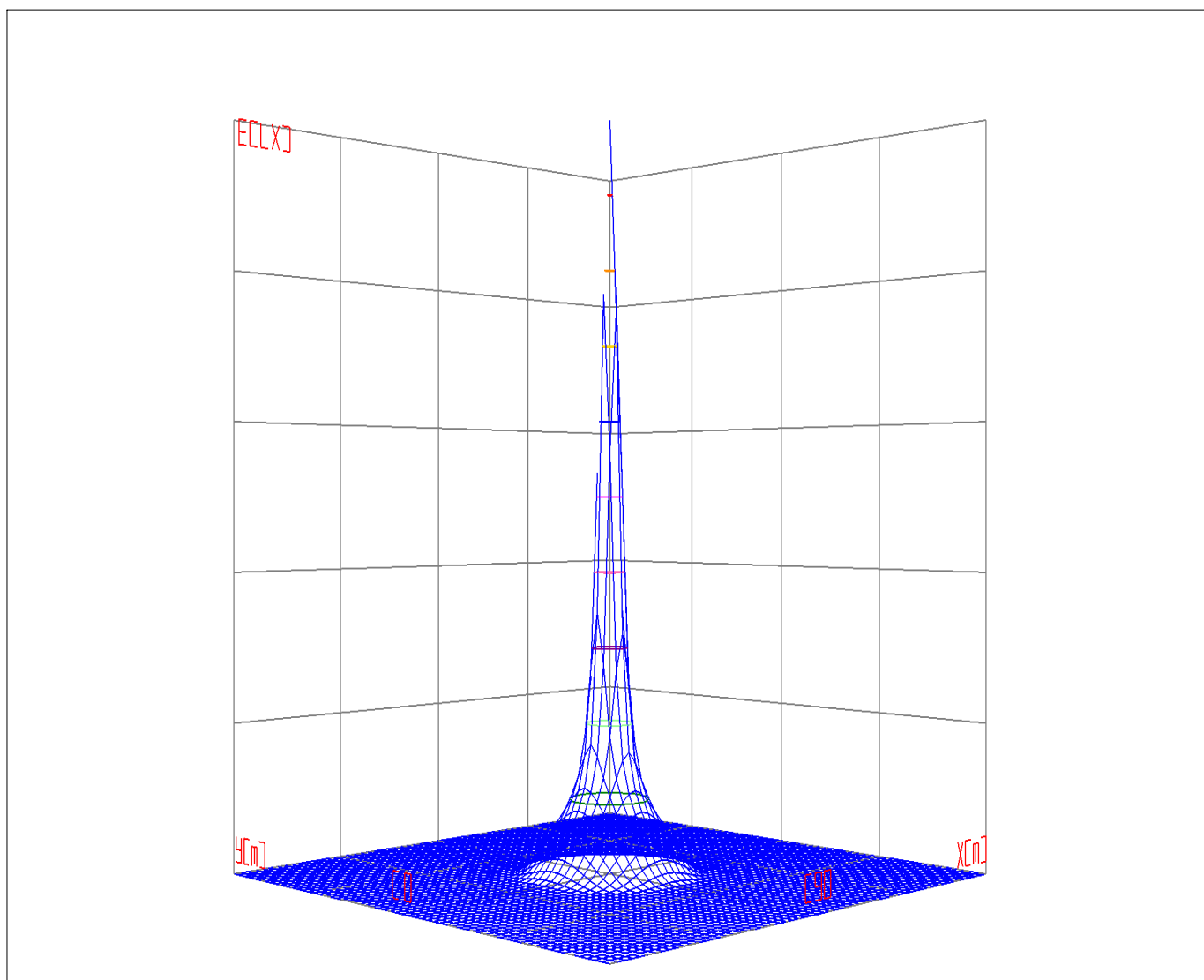


Working Plane Luminaire Mounting Height(m): 3.00
 Working Plane Maximum Illuminance(lx): 316.67
 Working Plane Maximum Illuminance Position(d/h):H0.0 V0.0

3D Plane ISO Illuminance Diagram

Lum. Name: CL2-13TW 2700K RA90 Reflector 15D	Lum. Catalog:	Test ID: 01
Lamp Name:	Lamp Catalog: LED	Test Lab: Quality peatment
Manufacture:	Test Machine:GON-2000	Test Date: 2020/01/08

3D Plane Illuminance Modal

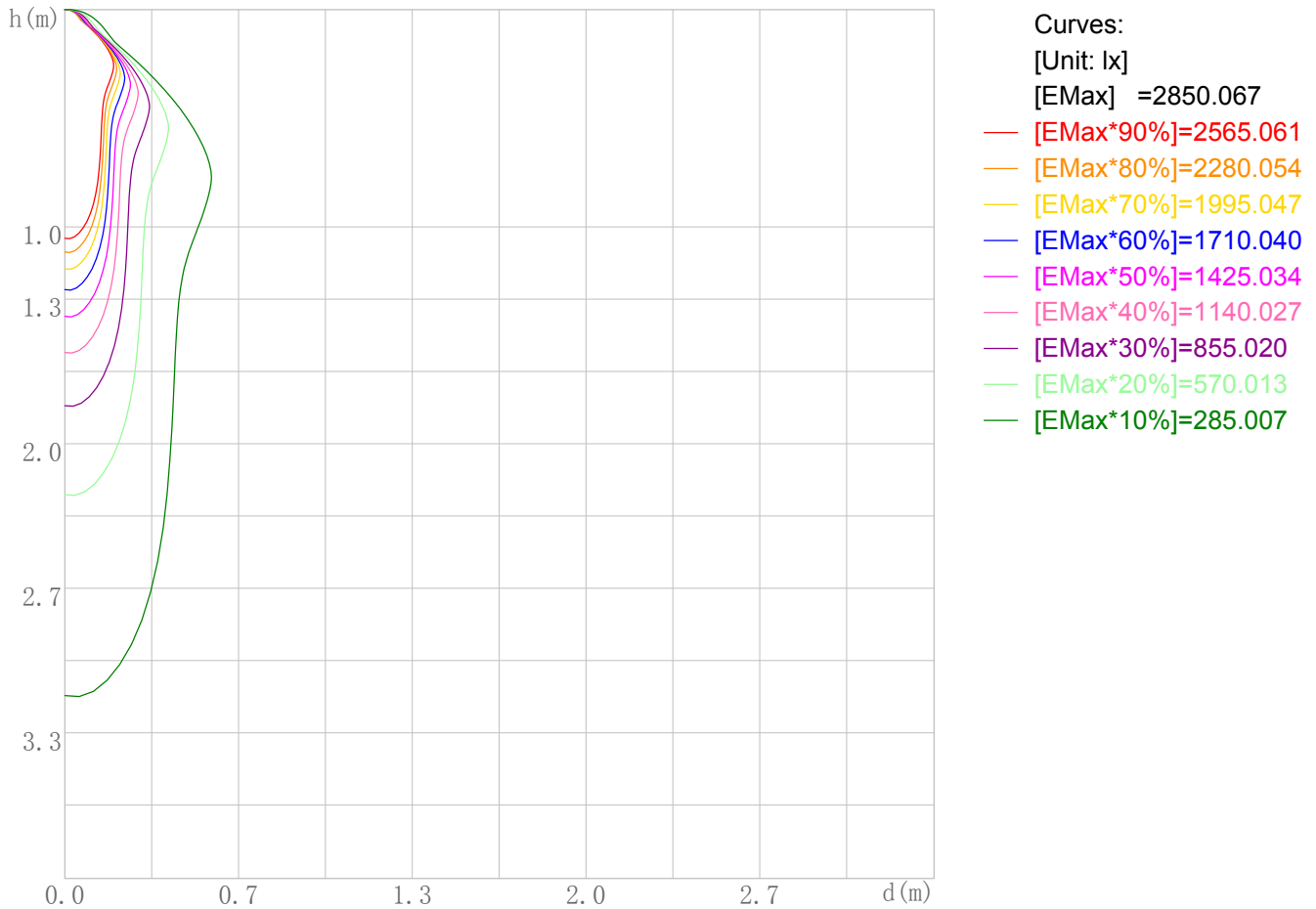


Curves: 3D Model — 90% — 80% — 70% — 60% — 50% — 40% — 30% — 20% — 10% —
 View Angles(deg): 0 Height(m): 3.0 Distance(m): 10.0

Space ISO Illuminance Diagram

Lum. Name: CL2-13TW 2700K RA90 Reflector 15D	Lum. Catalog:	Test ID: 01
Lamp Name:	Lamp Catalog: LED	Test Lab: Quality peatment
Manufacture:	Test Machine:GON-2000	Test Date: 2020/01/08

Space ISO Illuminance Curve

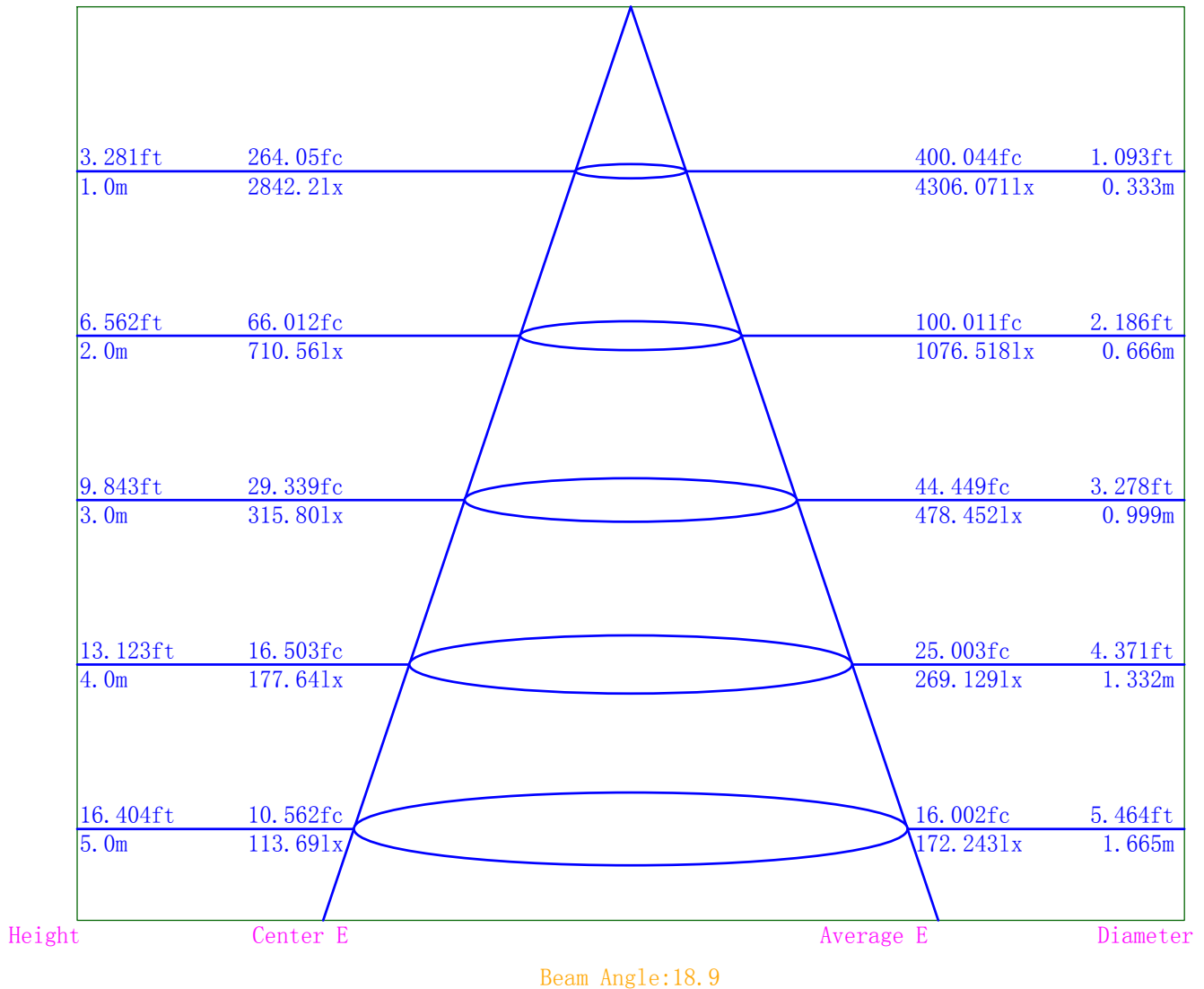


Space Plane Maximum Illuminance and @Angle:2850.07lx,1.0deg
 Plane Maximum Lighting Intensity and @Angle:2851.370cd,0deg

Illuminance-Distance Diagram

Lum. Name: CL2-13TW 2700K RA90 Reflector 15D	Lum. Catalog:	Test ID: 01
Lamp Name:	Lamp Catalog: LED	Test Lab: Quality peatment
Manufacture:	Test Machine:GON-2000	Test Date: 2020/01/08

Illuminance-Distance Curve



Indoor Luminance Limiting Curves

Lum. Name: CL2-13TW 2700K RA90 Reflector 15D	Lum. Catalog: LED	Test ID: 01
Lamp Name:	Lamp Catalog: LED	Test Lab: Quality peatment
Manufacture:	Test Machine:GON-2000	Test Date: 2020/01/08

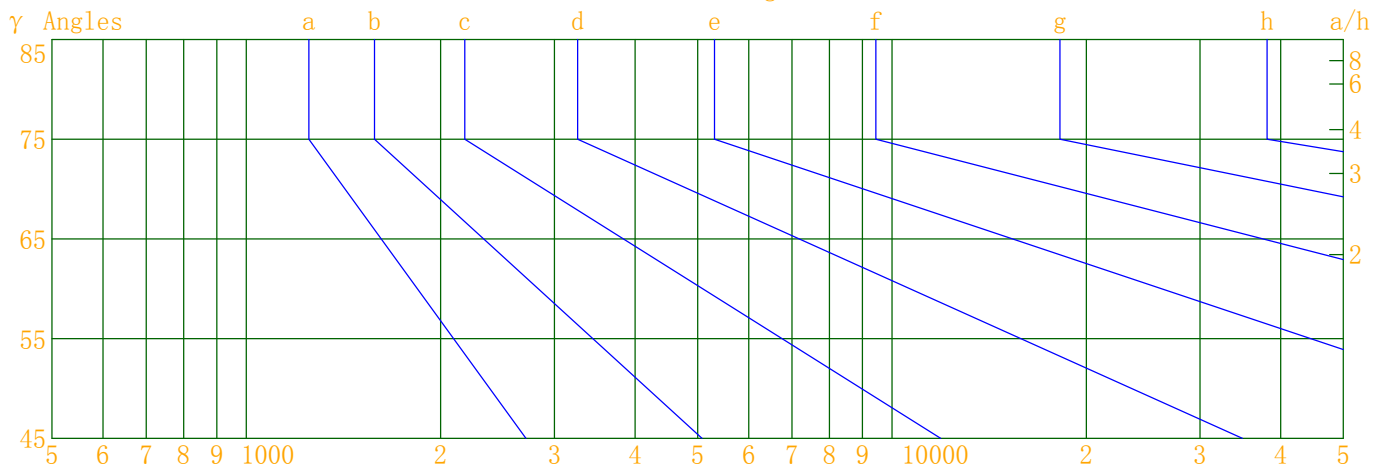
Glare Grade Table

GI	Quality	Using Illuminance							
		a	b	c	d	e	f	g	h
1.15	A	2000	1000	500	<=300				
1.5	B		2000	1000	500	<=300			
1.85	C			2000	1000	500	<=300		
2.2	D				2000	1000	500	<=300	
2.55	E	a				2000	1000	500	<=300
			b	c	d	e	f	g	h

Luminance Table

Gama (deg)	45	50	55	60	65	70	75	80	85
C0	316	112	62	55	54	55	61	77	128
C90	282	82	54	49	48	49	54	69	113

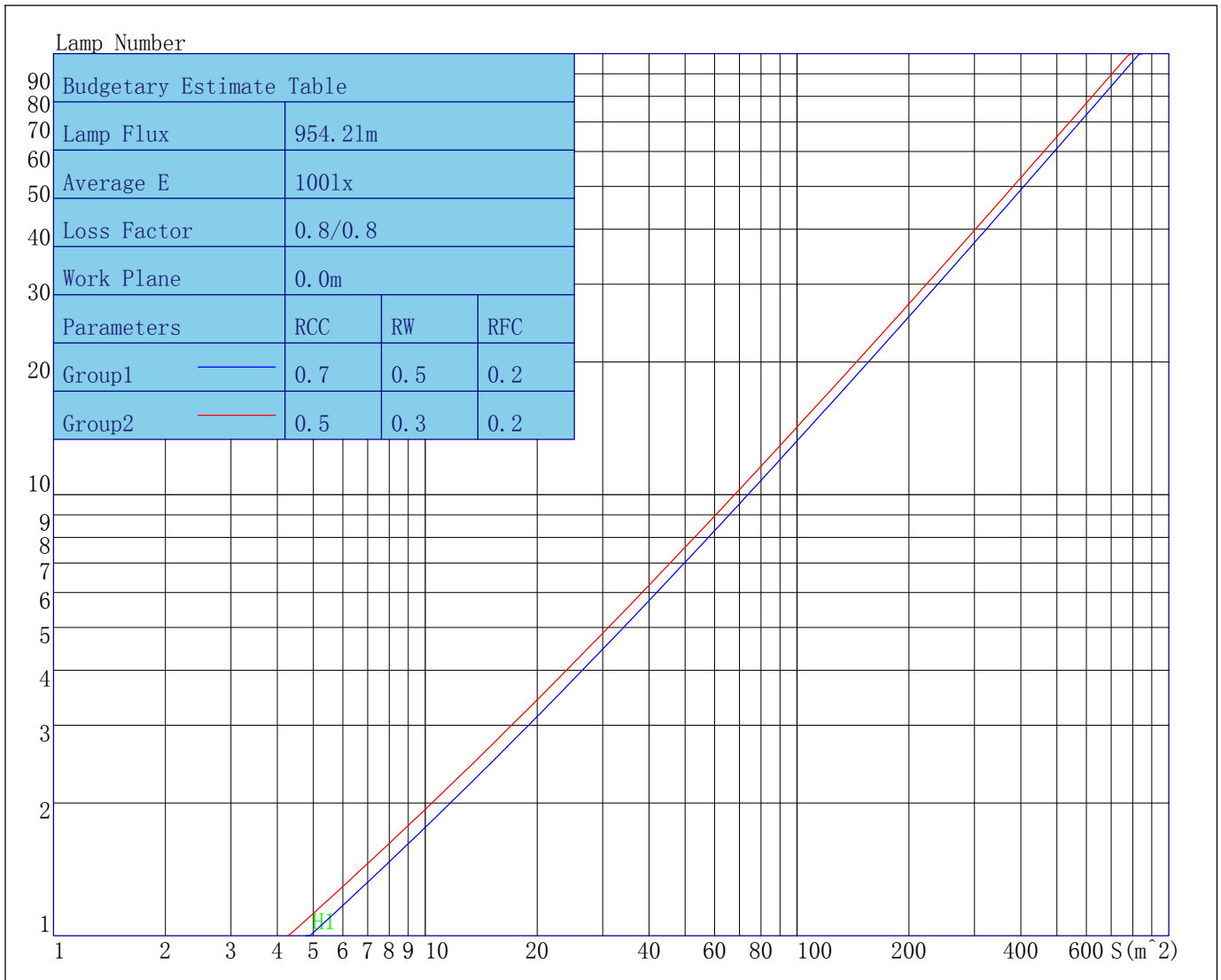
Luminance Limiting Curve



Luminous Size: Length(m)=0.498 Width(m)=0.498 Height(m)=0.750 Area(m^2)=0.621504
 Luminous Type: Without Luminous Side
 Luminous Curves: C0-C180 Color: — C90-C270 Color: —

Indoor Budgetary Estimate Table

Lum. Name: CL2-13TW 2700K RA90 Reflector 15D	Lum. Catalog:	Test ID: 01
Lamp Name:	Lamp Catalog: LED	Test Lab: Quality peatment
Manufacture:	Test Machine:GON-2000	Test Date: 2020/01/08



Parameters1: Rhocc = 0.7 Rhow = 0.5 Rhofc = 0.2 LLF = 0.8
 Parameters2: Rhocc = 0.5 Rhow = 0.3 Rhofc = 0.2 LLF = 0.8
 Average Illuminance(lx): 100 Cavity Height: H1(m) = 2

IES Indoor Report

Photometric Filename:CL2-13TW 2700K RA90 Reflector 15D.IES

Indoor Coefficient of Utilization Table

Lum. Name: CL2-13TW 2700K RA90 Reflector 15D	Lum. Catalog:	Test ID: 01
Lamp Name:	Lamp Catalog: LED	Test Lab: Quality peatment
Manufacture:	Test Machine:GON-2000	Test Date: 2020/01/08

Coefficients of Utilization - Zonal Cavity Method																		
Coef.	Effective Floor Cavity Reflectance RFC=0.20																	
RhoCC (%)	80				70				50			30			10			0
RhoW (%)	70	50	30	10	70	50	30	10	50	30	10	50	30	10	50	30	10	0
RCR	Coefficient of Utilization (%)																	
0	118	118	118	118	115	115	115	115	110	110	110	104	104	104	99	99	99	97
1	112	109	107	104	109	107	104	102	102	100	99	98	97	95	94	93	92	90
2	106	101	97	93	104	99	95	92	96	92	90	92	90	87	89	87	85	83
3	101	94	89	85	99	93	88	84	90	86	82	87	83	81	84	81	79	77
4	96	88	82	78	94	87	81	77	84	80	76	82	78	75	80	76	74	72
5	91	82	76	72	89	81	76	72	79	74	71	77	73	70	75	72	69	67
6	87	77	71	67	85	77	71	67	75	70	66	73	69	65	71	68	65	63
7	82	73	67	63	81	72	67	63	71	66	62	69	65	61	68	64	61	60
8	79	69	63	59	77	68	63	59	67	62	58	66	61	58	65	61	58	56
9	75	66	60	56	74	65	59	56	64	59	55	63	58	55	62	58	55	53
10	72	62	57	53	71	62	56	53	61	56	53	60	55	52	59	55	52	51

IES Indoor Report

Photometric Filename:CL2-13TW 2700K RA90 Reflector 15D.IES

Unified Glare Rating Table

Lum. Name: CL2-13TW 2700K RA90 Reflector 15D	Lum. Catalog:	Test ID: 01
Lamp Name:	Lamp Catalog: LED	Test Lab: Quality peatment
Manufacture:	Test Machine:GON-2000	Test Date: 2020/01/08

Unified Glare Rating Table

Ceiling RCC	0.70	0.70	0.50	0.50	0.30	0.70	0.70	0.50	0.50	0.30
Wall RW	0.50	0.30	0.50	0.30	0.30	0.50	0.30	0.50	0.30	0.30
Floor RFC	0.20	0.20	0.20	0.20	0.20	0.20	0.20	0.20	0.20	0.20
Room Size	Vewed crosswise					Vewed endwise				
X=2H Y=2H	3.8	4.9	4.2	5.2	5.6	3.5	4.5	3.9	4.9	5.3
Y=3H	3.8	4.8	4.3	5.2	5.6	3.5	4.4	3.9	4.8	5.3
Y=4H	3.9	4.8	4.4	5.2	5.7	3.5	4.4	4.0	4.8	5.3
Y=6H	4.1	4.9	4.5	5.3	5.8	3.7	4.5	4.1	4.9	5.4
Y=8H	4.2	4.9	4.7	5.4	5.9	3.8	4.5	4.3	5.0	5.5
Y=12H	4.4	5.1	4.8	5.5	6.0	3.9	4.6	4.4	5.1	5.6
X=4H Y=2H	3.6	4.5	4.1	4.9	5.4	3.3	4.2	3.7	4.6	5.0
Y=3H	3.7	4.5	4.2	4.9	5.4	3.4	4.1	3.9	4.6	5.0
Y=4H	3.9	4.5	4.4	5.0	5.5	3.5	4.2	4.0	4.6	5.2
Y=6H	4.2	4.8	4.7	5.3	5.8	3.8	4.3	4.3	4.8	5.4
Y=8H	4.4	4.9	4.9	5.4	6.0	4.0	4.5	4.5	5.0	5.5
Y=12H	4.7	5.2	5.3	5.7	6.3	4.2	4.7	4.8	5.2	5.8
X=8H Y=4H	3.9	4.4	4.4	4.9	5.5	3.5	4.0	4.0	4.5	5.1
Y=6H	4.3	4.8	4.9	5.3	5.9	3.9	4.3	4.5	4.9	5.5
Y=8H	4.7	5.1	5.3	5.6	6.2	4.2	4.6	4.8	5.2	5.7
Y=12H	5.2	5.5	5.7	6.1	6.7	4.7	5.0	5.2	5.6	6.2
X=12H Y=4H	3.9	4.3	4.4	4.9	5.4	3.5	3.9	4.0	4.5	5.0
Y=6H	4.4	4.7	5.0	5.3	5.9	3.9	4.3	4.5	4.8	5.5
Y=8H	4.8	5.1	5.4	5.7	6.3	4.3	4.7	4.9	5.2	5.9
Variations with the objerver position at spacings										
S=1.0H	0.1/-0.1					0.1/-0.1				
S=1.5H	0.2/-0.2					0.2/-0.2				
S=2.0H	0.2/-0.2					0.2/-0.2				
Reduced UGR Table:										
Nordic Standard Table:	BKO					BKO				
Correction Value	1.3					1.3				

to the CIE Pub.117, data has been corrected, refers to the lamp's lumens 8.2flm.

IES Indoor Report

Photometric Filename:CL2-13TW 2700K RA90 Reflector 15D.IES

Candela Tabulation

V/H	C0.0	C90.0	C180.0	C270.0
γ 0.0	2842.23	2842.23	2842.23	2842.23
γ 1.0	2851.37	2851.20	2773.00	2795.03
γ 2.0	2812.37	2808.53	2664.46	2690.77
γ 3.0	2728.60	2709.77	2530.27	2561.41
γ 4.0	2609.11	2572.83	2368.25	2407.80
γ 5.0	2462.48	2410.46	2180.32	2230.98
γ 6.0	2289.54	2226.05	1970.14	2032.72
γ 7.0	2094.70	2017.14	1752.94	1824.44
γ 8.0	1889.78	1799.81	1544.48	1618.32
γ 9.0	1681.58	1583.70	1353.94	1425.44
γ 10.0	1478.42	1378.19	1190.18	1256.14
γ 11.0	1294.76	1196.95	1050.52	1109.44
γ 12.0	1135.47	1046.76	929.68	981.45
γ 13.0	1000.40	920.84	825.43	869.99
γ 14.0	886.00	814.98	738.26	777.91
γ 15.0	790.75	729.56	667.12	702.70
γ 16.0	713.86	661.56	608.71	640.80
γ 17.0	651.00	607.28	560.92	589.55
γ 18.0	599.68	563.07	522.25	547.95
γ 19.0	558.44	527.86	490.76	514.42
γ 20.0	524.85	499.40	465.34	486.93
γ 21.0	497.61	476.56	444.35	464.09
γ 22.0	475.86	458.09	427.41	445.54
γ 23.0	457.63	442.99	412.89	429.56
γ 24.0	441.93	429.50	400.56	415.86
γ 25.0	428.47	418.04	389.38	403.45
γ 26.0	416.32	406.78	379.72	392.73
γ 27.0	405.14	396.62	370.53	382.99
γ 28.0	394.80	386.97	362.01	373.74
γ 29.0	384.78	377.68	354.14	365.56
γ 30.0	375.36	368.77	346.55	357.92
γ 31.0	366.44	360.13	339.35	350.84
γ 32.0	357.71	351.91	331.98	343.94
γ 33.0	349.27	343.75	325.06	337.10
γ 34.0	340.93	335.73	316.86	330.19
γ 35.0	332.37	327.45	307.28	321.70
γ 36.0	322.50	317.57	294.35	311.01
γ 37.0	309.79	304.31	278.54	297.15
γ 38.0	293.35	288.16	259.97	280.09
γ 39.0	274.82	268.88	239.59	260.20
γ 40.0	254.41	247.34	217.57	237.87
γ 41.0	232.77	223.66	194.51	213.80
γ 42.0	209.71	198.28	170.85	188.65
γ 43.0	186.18	173.07	146.84	162.95
γ 44.0	162.40	148.21	123.33	137.38
γ 45.0	138.99	123.84	101.25	113.30
γ 46.0	116.37	100.65	81.01	90.78

IES Indoor Report

Photometric Filename:CL2-13TW 2700K RA90 Reflector 15D.IES

Candela Tabulation - (Cont.)

V/H	C0.0	C90.0	C180.0	C270.0
γ 47.0	95.44	78.96	62.87	70.05
γ 48.0	76.12	59.38	47.58	52.39
γ 49.0	59.04	44.00	35.17	38.59
γ 50.0	44.57	32.89	26.57	29.38
γ 51.0	33.69	26.32	22.25	24.92
γ 52.0	27.90	23.79	20.38	22.80
γ 53.0	25.41	22.00	18.93	21.14
γ 54.0	23.58	20.55	17.72	19.76
γ 55.0	22.02	19.27	16.77	18.71
γ 56.0	20.77	18.30	15.88	17.68
γ 57.0	19.68	17.34	15.17	16.91
γ 58.0	18.69	16.56	14.48	16.09
γ 59.0	17.89	15.84	13.93	15.49
γ 60.0	17.08	15.24	13.41	14.91
γ 61.0	16.44	14.67	12.93	14.37
γ 62.0	15.83	14.13	12.47	13.85
γ 63.0	15.23	13.59	12.03	13.35
γ 64.0	14.66	13.07	11.64	12.91
γ 65.0	14.13	12.58	11.26	12.48
γ 66.0	13.62	12.10	10.91	12.07
γ 67.0	13.11	11.65	10.60	11.70
γ 68.0	12.64	11.21	10.31	11.36
γ 69.0	12.18	10.80	10.05	11.06
γ 70.0	11.76	10.41	9.80	10.80
γ 71.0	11.34	10.05	9.57	10.54
γ 72.0	10.95	9.69	9.34	10.29
γ 73.0	10.57	9.35	9.10	10.04
γ 74.0	10.20	9.02	8.85	9.78
γ 75.0	9.84	8.69	8.62	9.53
γ 76.0	9.49	8.37	8.37	9.28
γ 77.0	9.15	8.08	8.14	9.02
γ 78.0	8.83	7.81	7.95	8.79
γ 79.0	8.55	7.58	7.81	8.55
γ 80.0	8.35	7.42	7.64	8.40
γ 81.0	8.13	7.28	7.49	8.11
γ 82.0	7.86	7.09	7.08	7.96
γ 83.0	7.74	6.73	6.78	7.59
γ 84.0	7.25	6.42	6.43	7.22
γ 85.0	6.94	6.11	5.90	6.80
γ 86.0	6.55	5.59	5.24	6.15
γ 87.0	5.98	4.96	4.69	5.56
γ 88.0	5.39	4.41	4.18	4.99
γ 89.0	4.80	3.97	4.06	4.78
γ 90.0	4.64	3.86	3.97	4.65
γ 91.0	4.53	3.79	3.87	4.53
γ 92.0	4.41	3.71	3.79	4.41
γ 93.0	4.33	3.63	3.70	4.30

IES Indoor Report

Photometric Filename:CL2-13TW 2700K RA90 Reflector 15D.IES

Candela Tabulation - (Cont.)

V/H	C0.0	C90.0	C180.0	C270.0
γ 94.0	4.23	3.56	3.62	4.20
γ 95.0	4.14	3.51	3.55	4.11
γ 96.0	4.07	3.43	3.47	4.01
γ 97.0	3.99	3.38	3.41	3.94
γ 98.0	3.92	3.32	3.35	3.86
γ 99.0	3.85	3.28	3.31	3.80
γ 100.0	3.80	3.24	3.26	3.74
γ 101.0	3.75	3.20	3.24	3.70
γ 102.0	3.70	3.18	3.21	3.66
γ 103.0	3.66	3.15	3.18	3.62
γ 104.0	3.63	3.13	3.17	3.58
γ 105.0	3.60	3.11	3.16	3.56
γ 106.0	3.57	3.12	3.16	3.54
γ 107.0	3.55	3.10	3.15	3.52
γ 108.0	3.53	3.09	3.16	3.51
γ 109.0	3.52	3.09	3.16	3.50
γ 110.0	3.51	3.10	3.19	3.50
γ 111.0	3.48	3.11	3.20	3.51
γ 112.0	3.48	3.11	3.22	3.52
γ 113.0	3.48	3.11	3.24	3.53
γ 114.0	3.47	3.12	3.26	3.55
γ 115.0	3.47	3.13	3.30	3.57
γ 116.0	3.47	3.13	3.34	3.58
γ 117.0	3.47	3.15	3.37	3.61
γ 118.0	3.48	3.16	3.41	3.64
γ 119.0	3.49	3.19	3.45	3.67
γ 120.0	3.49	3.22	3.50	3.70
γ 121.0	3.51	3.24	3.55	3.75
γ 122.0	3.54	3.28	3.59	3.78
γ 123.0	3.57	3.31	3.65	3.82
γ 124.0	3.60	3.35	3.71	3.87
γ 125.0	3.63	3.40	3.76	3.91
γ 126.0	3.68	3.46	3.82	3.96
γ 127.0	3.73	3.51	3.89	4.01
γ 128.0	3.78	3.58	3.96	4.07
γ 129.0	3.83	3.64	4.04	4.14
γ 130.0	3.90	3.72	4.12	4.21
γ 131.0	3.97	3.79	4.21	4.28
γ 132.0	4.05	3.88	4.31	4.37
γ 133.0	4.13	3.97	4.41	4.46
γ 134.0	4.22	4.08	4.52	4.57
γ 135.0	4.32	4.18	4.64	4.68
γ 136.0	4.41	4.29	4.76	4.79
γ 137.0	4.53	4.41	4.90	4.92
γ 138.0	4.64	4.52	5.03	5.05
γ 139.0	4.76	4.66	5.17	5.18
γ 140.0	4.89	4.78	5.32	5.31

IES Indoor Report

Photometric Filename:CL2-13TW 2700K RA90 Reflector 15D.IES

Candela Tabulation - (Cont.)

V/H	C0.0	C90.0	C180.0	C270.0
γ 141.0	5.01	4.93	5.45	5.46
γ 142.0	5.15	5.07	5.60	5.59
γ 143.0	5.27	5.19	5.73	5.73
γ 144.0	5.41	5.33	5.87	5.86
γ 145.0	5.54	5.47	5.99	5.98
γ 146.0	5.69	5.61	6.11	6.09
γ 147.0	5.81	5.73	6.23	6.20
γ 148.0	5.93	5.85	6.31	6.30
γ 149.0	6.04	5.98	6.41	6.39
γ 150.0	6.15	6.08	6.50	6.47
γ 151.0	6.26	6.18	6.60	6.56
γ 152.0	6.36	6.27	6.68	6.65
γ 153.0	6.45	6.36	6.76	6.71
γ 154.0	6.54	6.44	6.84	6.78
γ 155.0	6.64	6.53	6.91	6.85
γ 156.0	6.73	6.60	6.99	6.92
γ 157.0	6.81	6.67	7.05	6.98
γ 158.0	6.89	6.75	7.12	7.06
γ 159.0	6.98	6.82	7.20	7.11
γ 160.0	7.05	6.88	7.25	7.16
γ 161.0	7.11	6.96	7.32	7.22
γ 162.0	7.20	7.03	7.38	7.28
γ 163.0	7.26	7.11	7.44	7.33
γ 164.0	7.33	7.18	7.49	7.39
γ 165.0	7.39	7.25	7.55	7.43
γ 166.0	7.46	7.32	7.59	7.49
γ 167.0	7.52	7.38	7.64	7.54
γ 168.0	7.57	7.45	7.68	7.57
γ 169.0	7.62	7.51	7.71	7.61
γ 170.0	7.67	7.56	7.74	7.63
γ 171.0	7.71	7.59	7.75	7.65
γ 172.0	7.73	7.63	7.77	7.67
γ 173.0	7.76	7.66	7.78	7.68
γ 174.0	7.77	7.67	7.77	7.69
γ 175.0	7.78	7.68	7.78	7.70
γ 176.0	7.78	7.69	7.79	7.71
γ 177.0	7.79	7.70	7.80	7.73
γ 178.0	7.80	7.71	7.79	7.74
γ 179.0	7.80	7.72	7.81	7.77
γ 180.0	7.79	7.79	7.79	7.79
