

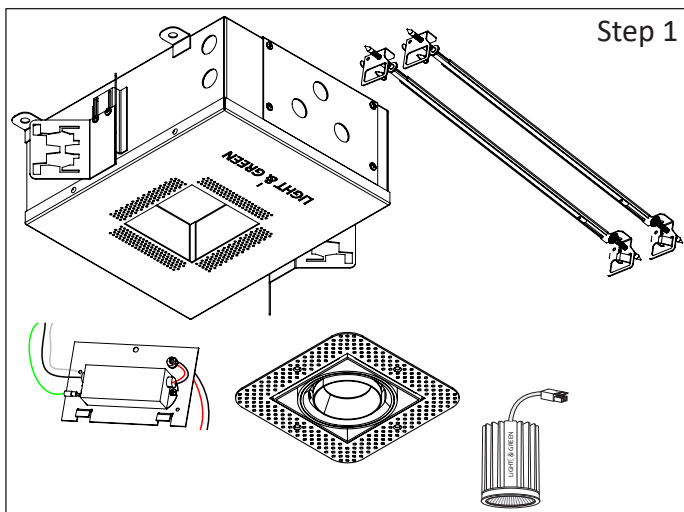
INSTALLATION INSTRUCTIONS

PREPARING THE LUMINAIRE

RECESSED CEILING MOUNT LUMINAIRE:

Model: BOOST LG-9021 3" ADJUSTABLE SQUARE DOWNLIGHTS

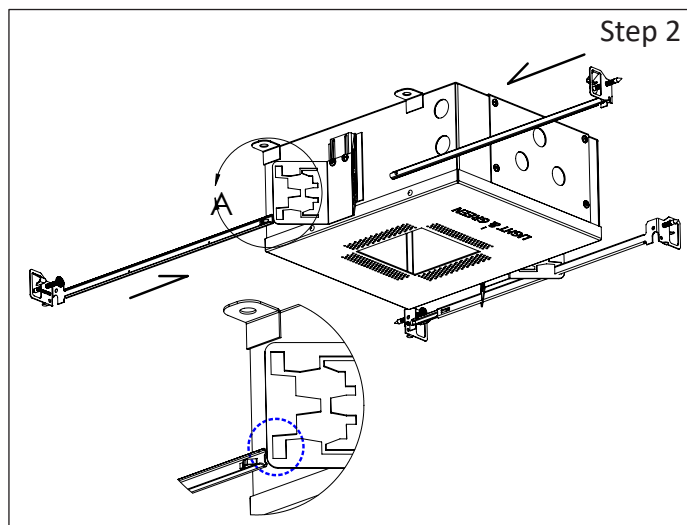
SAVE THESE INSTRUCTIONS



Step 1

Step 1 - Luminaire Parts and Tools for Installation:

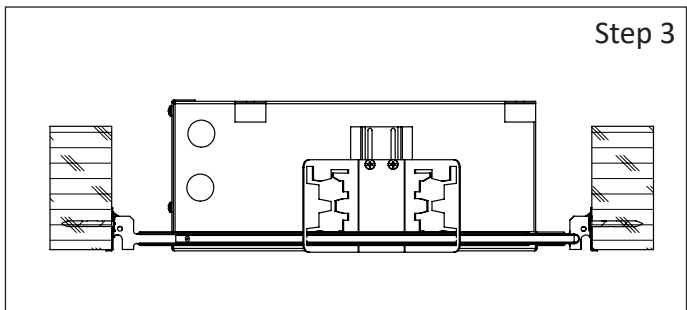
a. Unpack all Fixture Part and get to know them for easy Installation.



Step 2

Step 2 - Install hanger bars to Fixture:

a. Align the hanger bars to the outside rectangular holes of butterfly bracket; indicated by dash circle. (Provided).



Step 3

Step 3 - Install Fixture Assembly to Wood-Joist:

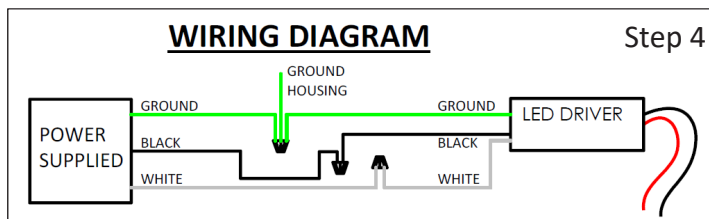
- Select the location to Install this Fixture on Ceiling.
- Place Hanger Bar to Wood Joist and secure using the captive Nails.
- Assure that the housing aperture will be flush to the back of the drywall.
- Adjust fix horizontally and secure using wire ties down.

READ AND UNDERSTAND ALL INSTRUCTIONS BEFORE INSTALLATION. IF YOU ARE NOT FAMILIAR WITH THE NATIONAL ELECTRICAL CODE (NEC), CONTACT A QUALIFIED ELECTRICIAN TO INSTALL THIS LUMINAIRE.

WARNING - Before installing this luminaire or doing any maintenance, turn off the power supply at the circuit breaker or fuse box. Turning the power off using the light switch is not sufficient to prevent electrical shock.

NOTE:

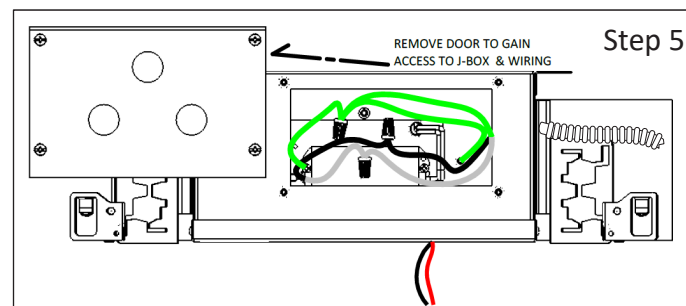
To re-lamp, replacement parts or additional information, contact or visit manufacturer at www.lightandgreen.com.



Step 4

Step 4 - WIRING DIAGRAM

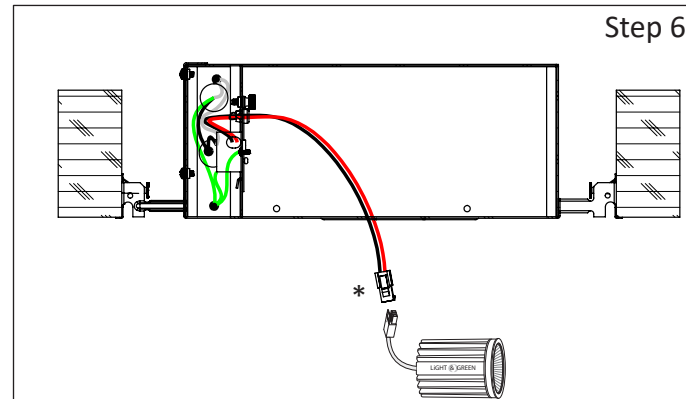
a. Review wiring Diagram before making any connections.



Step 5

Step 5 - Install the Driver:

- Remove j-box cover plate and attached conduit with line voltage to fixture.
- Wire fixture per Wiring diagram in STEP 4, then close j-box with cover plate.



Step 6

Step 6 - Install J-Box to Fixture:

- "*" Indicates the (Quick Connector) come with the led module and must be connected to led driver; (red wire to red wire & black wire to black wire)
- Connect the LED Light and turn Switch On to make sure it lights.

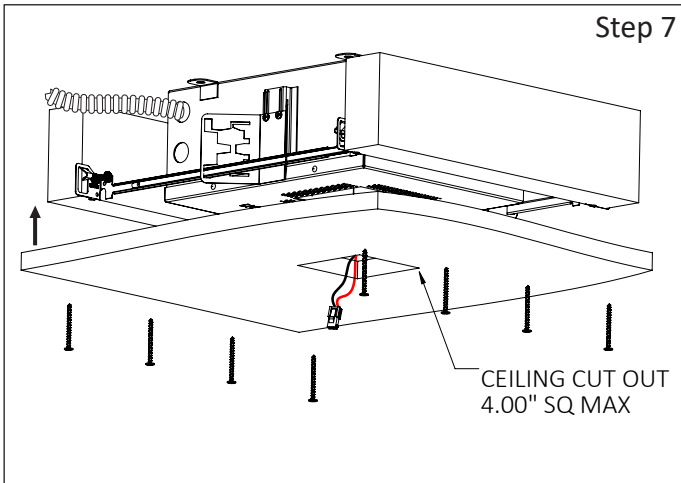
INSTALLATION INSTRUCTIONS

SAVE THESE INSTRUCTIONS

PREPARING THE LUMINAIRE

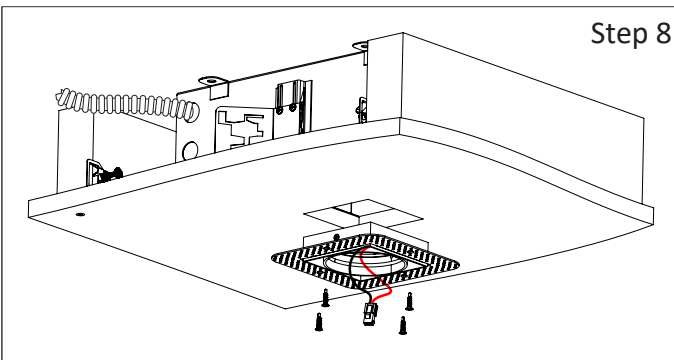
RECESSED CEILING MOUNT LUMINAIRE:

Model: BOOST LG-9021 3" ADJUSTABLE SQUARE DOWNLIGHTS



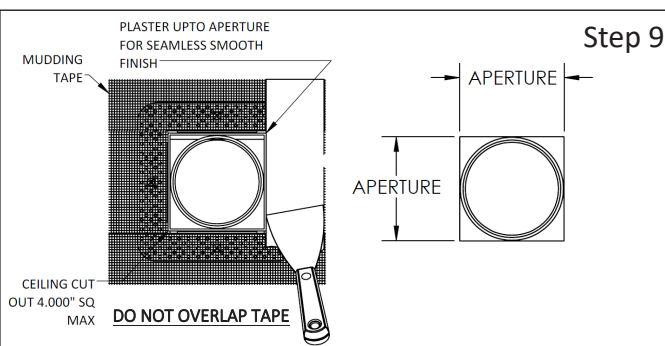
Step 7 - Cut-Out Dry-wall and Install to Ceiling Joist:

- Mark the Fixture location on Dry-wall "Sheet" and cut-out.
- Slide Fixture through butterfly brackets to Center the Ceiling Cut-out and Lock position using screw (provided).
- Align the Cut-out with Fixture.



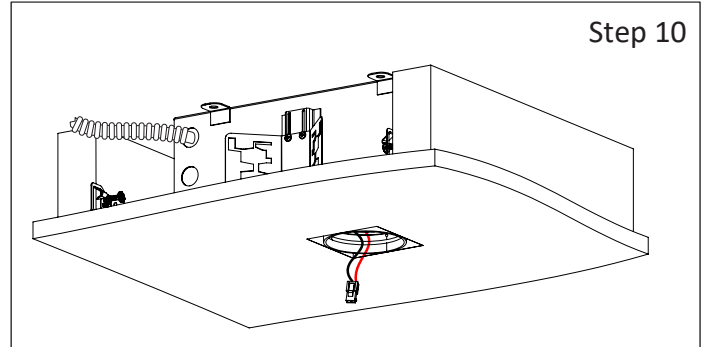
Step 8 - Attach Boost trim to Fixture:

- Align Boost trim assembly and insert in the Cut-out.
- Secure Boost trim assembly with plaster/sheetmetal screws((4) By others)



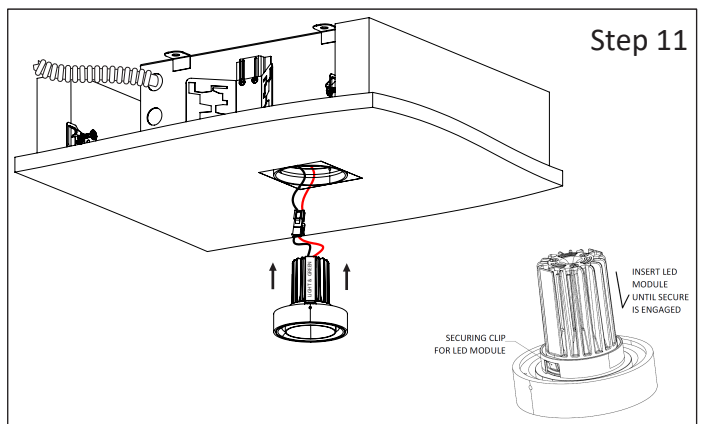
Step 9 - Plastering Ceiling Cut-Out with fixture and Paint:

- Apply mudding tape joining ONLY the overlap of the fixture to cover the drywall **DO NOT OVERLAP TAPE**.
- Mud over the face of the fixture, avoiding the opening (APERTURE).
Remove excess mud from the opening using finger of blunt object, reestablishing the shape of the opening. Repeat this step until you reach desired texture



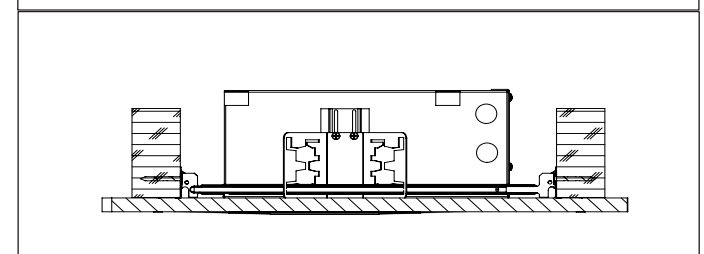
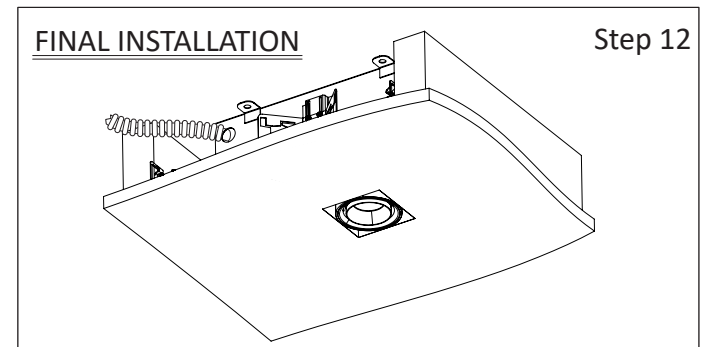
Step 10 - Check finished surface:

- Make sure no crack or flaws are visible



Step 11 - : Install LED

- Remove inner lamp ring and insert led module into inner lamp ring.
- Connect LED Light and insert through Fixture.
- Insert Led assembly in to fixture, once feel the click the led module is secured in the fixture.



Step 12 - FINALIZE INSTALLATION

- Test fixture to confirm it operates properly.