

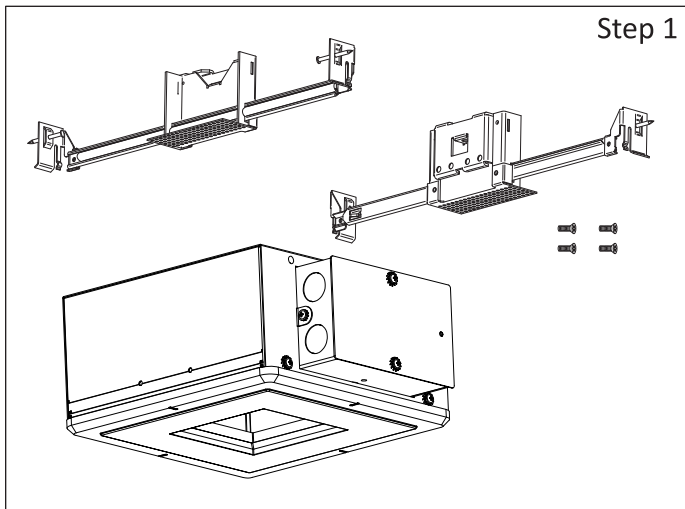
INSTALLATION INSTRUCTIONS



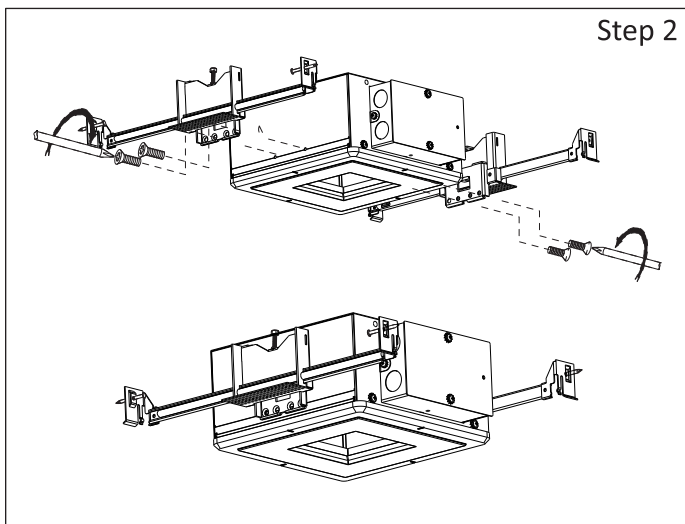
PREPARING THE LUMINAIRE

RECESSED CEILING MOUNT LUMINAIRE:
Model: LG-9031/32/33

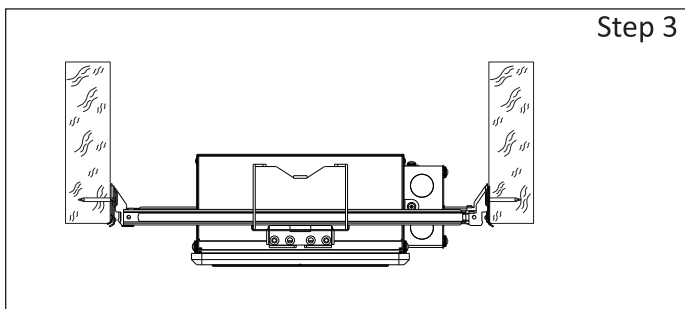
SAVE THESE INSTRUCTIONS



Step 1 - Luminaire Parts and tools for installation:
a. Unpack all Fixture Part and get to know them for easy Installation.



Step 2 - Install Adjustable Bracket to Fixture:
a. Align the center holes to Fixture and fastened it using two screws each side of Fixture (Provided).

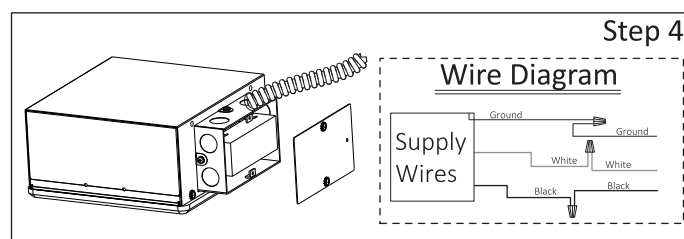


Step 3 - Install Fixture Assembly to Wood-Joist:
a. Select the location to Install this Fixture on Ceiling.
b. Place Hunger Bar to Wood Joist and secure using the captive Nails.

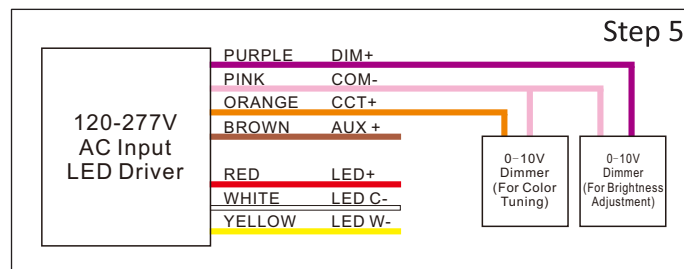
READ AND UNDERSTAND ALL INSTRUCTIONS BEFORE INSTALLATION. IF YOU ARE NOT FAMILIAR WITH THE NATIONAL ELECTRICAL CODE (NEC), CONTACT A QUALIFIED ELECTRICIAN TO INSTALL THIS LUMINAIRE.

WARNING- Before installing this luminaire or doing any maintenance, turn off the power supply at the circuit breaker or fuse box. Turning the power off using the light switch is not sufficient to prevent electrical shock.

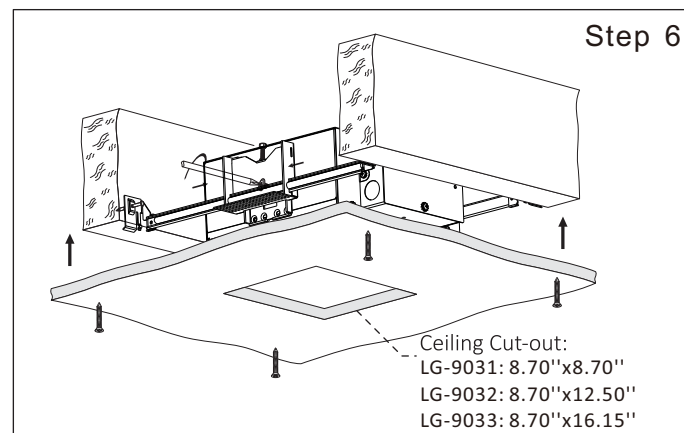
NOTE:
To re-lamp, replacement parts or additional information, contact or visit manufacturer at www.lightandgreen.com.



Step 4 - Connect Power Supply to Fixture Junction box:
a. Connect Power Supply using Conduit Fitting (By others) to Junction box.
b. Pull out Supply Wires and make Wiring Connections, see Wire Diagram.



Step 5 - Connect Controller:
a. Pull out Controller Wires and make Wiring Connections, see Wire Diagram.



Step 6 - Cut-Out Dry-wall and install to Ceiling Joist:
a. Mark the Fixture location on Dry-wall "Sheet" and cut-out.
b. Slide Fixture through Adjustable Bracket to Center the Ceiling Cut-out and lock position using screw (Provided).
c. Align the Cut-out with Fixture and adjust Hanger Bars if needed, insert Fixture through Cut-out and install the Dry-wall to Joist.

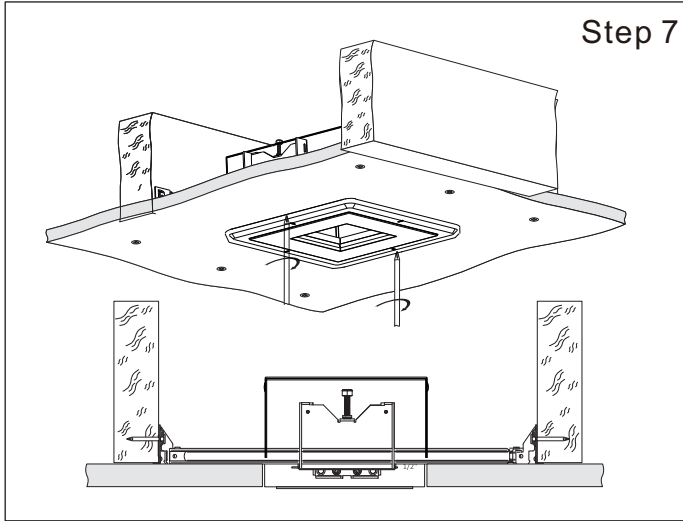
INSTALLATION INSTRUCTIONS



PREPARING THE LUMINAIRE

RECESSED CEILING MOUNT LUMINAIRE:
Model: LG-9031/32/33

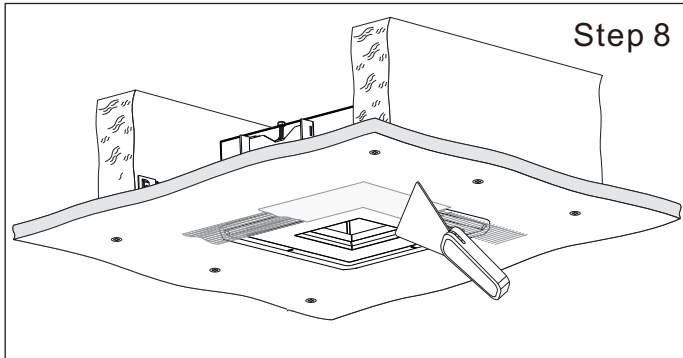
SAVE THESE INSTRUCTIONS



Step 7

Step 7 - Adjust Fixture:

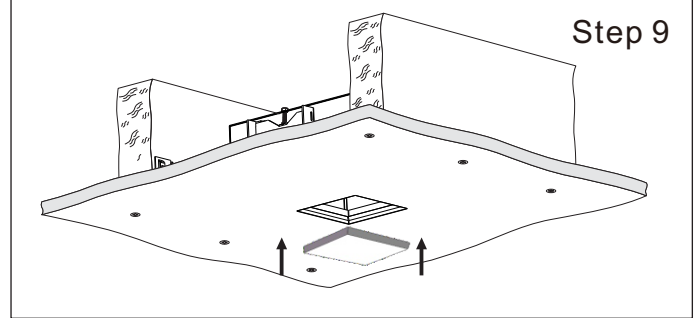
- a. Reach the Adjustable Bracket Screw in or out to make Fixture flush to sheetrock (Dry-wall) surface.



Step 8

Step 8 - Plastering Ceiling Cut-out and Fixture:

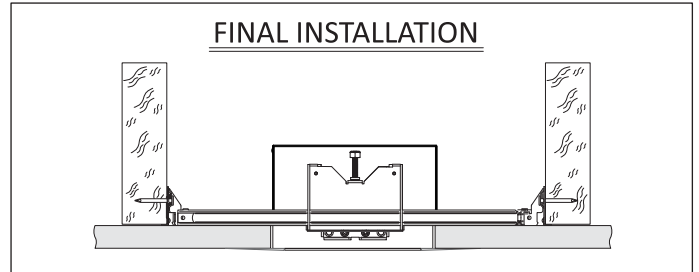
- a. Plaster to cover the gap between the Fixture and Ceiling Cut-out for a smooth finish with sheetrock surface. Plaster Tape may be used.



Step 9

- Step 9 - Cover the Hold and Spray Paint Fixture:**
- a. Insert Foam (provided) to cover the Fixture Hold and Spray Paint Fixture Interior Walls to match Ceiling Paint Finish.

DO NOT USE BRUSH TO PAINT FIXTURE!!!



FINAL INSTALLATION

WIRING DIAGRAM FOR TUNABLE WHITE ONLY

