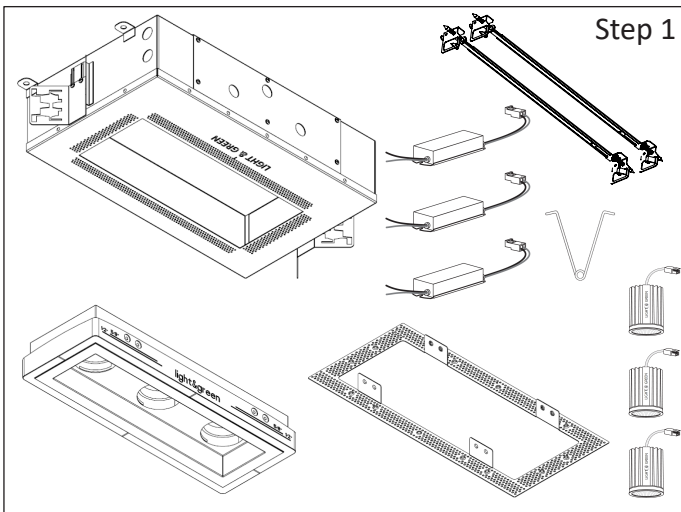


INSTALLATION INSTRUCTIONS

PREPARING THE LUMINAIRE

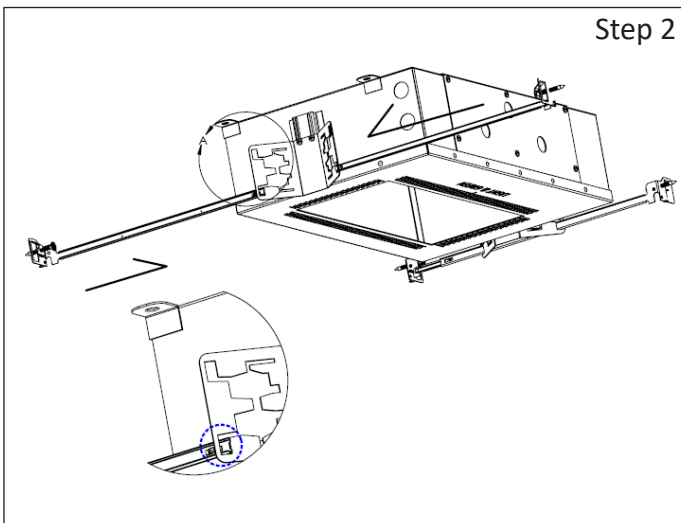
RECESSED CEILING MOUNT LUMINAIRE: Model:
LG-9111 HARMONY FIXED DOWNLIGHTS

SAVE THESE INSTRUCTIONS



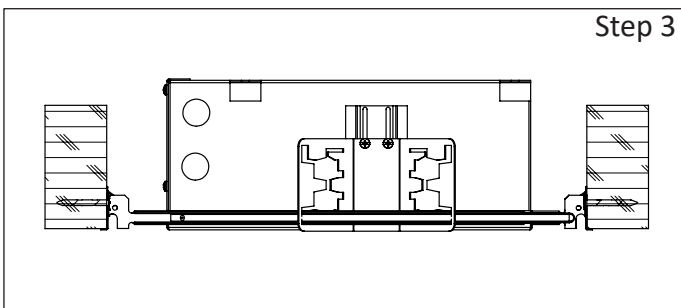
Step 1 - Luminaire Parts and Tools for Installation:

- a. Unpack all Fixture Part and get to know them for easy Installation.



Step 2 - Install hanger bars to Fixture:

- a. Align the hanger bars to the outside rectangular holes of butter fly bracket; indicated by dash circle. (Provided).



Step 3 - Install Fixture Assembly to Wood-Joist:

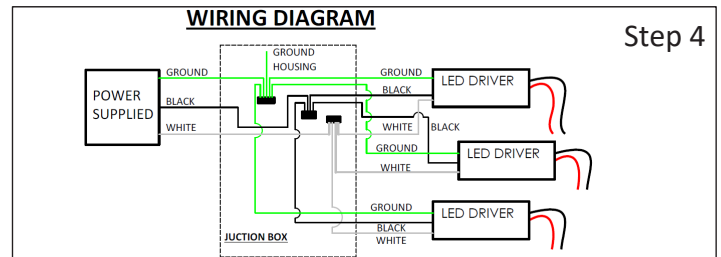
- a. Select the location to Install this Fixture on Ceiling.
- b. Place Hanger Bar to Wood Joist and secure using the captive Nails.
- c. Assure that the housing aperture will be flush to the back of the drywall.
- d. Adjust fix horizontally and secure using wire ties down.

READ AND UNDERSTAND ALL INSTRUCTIONS BEFORE INSTALLATION. IF YOU ARE NOT FAMILIAR WITH THE NATIONAL ELECTRICAL CODE (NEC), CONTACT A QUALIFIED ELECTRICIAN TO INSTALL THIS LUMINAIRE.

WARNING - Before installing this luminaire or doing any maintenance, turn off the power supply at the circuit breaker or fuse box. Turning the power off using the light switch is not sufficient to prevent electrical shock.

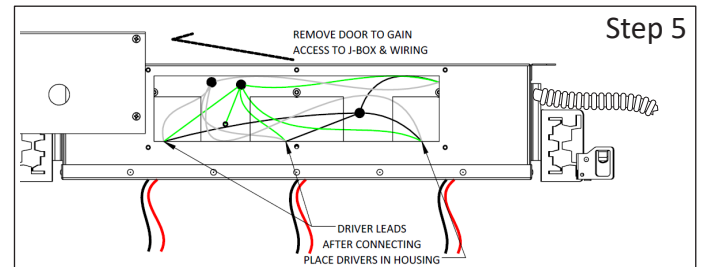
NOTE:

To re-lamp, replacement parts or additional information, contact or visit manufacturer at www.lightandgreen.com.



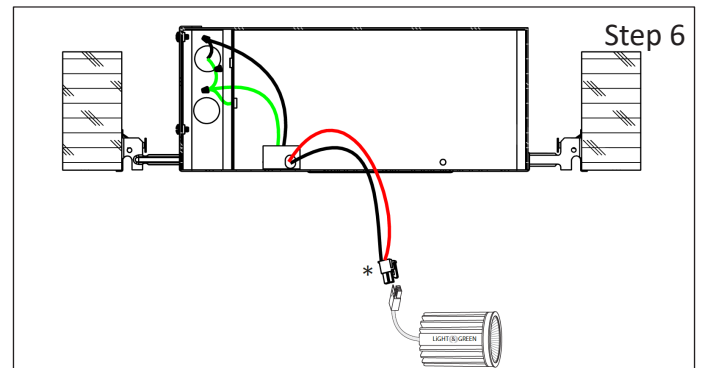
Step 4 - Connect Power Supply to Fixture J-Box:

- a. Connect Power Supply using Conduit Fitting (By Others) to J-Box.
- b. Pull out Supply Wires and make Wiring Connections, see Wire Diagram.



Step 5 - Install the Driver:

- a. Remove j-box cover plate and attached conduit with line voltage to fixture.
- b. Wire fixture per Wiring diagram in STEP 4 & use 18in long wires to allow for servicing, the close j-box with cover plate.
- c. Place drivers in side of fixture NOT THE JUNCTION BOX.



Step 6 - Install J-Box to Fixture:

- a. After wiring driver, lay it inside the fixture.
- b. "*" Indicates the (Quick Connector) come with the led and must be connected to driver; (red wire to red wire & black wire to black wire)
- c. Connect the LEDs Light and turn Switch On to make sure it lights.
- d. Disconnect the leds and save until STEP 11

INSTALLATION INSTRUCTIONS

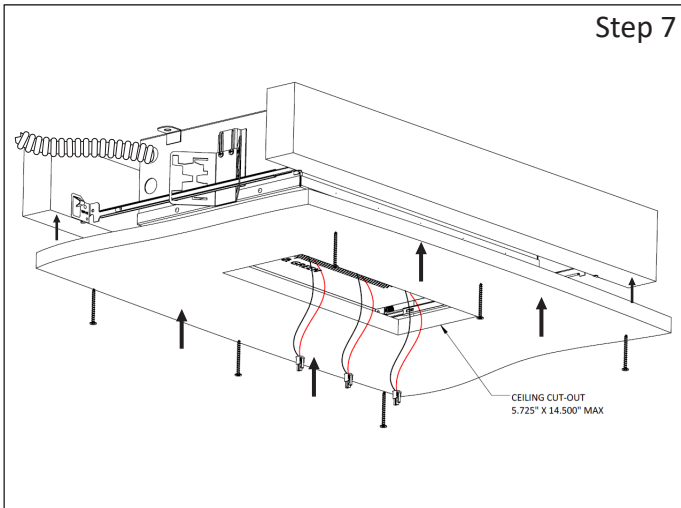
Light & Green

LIGHTING COMPANY

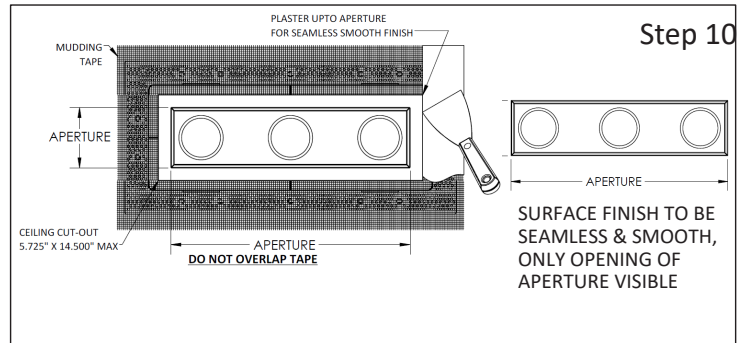
SAVE THESE INSTRUCTIONS

PREPARING THE LUMINAIRE

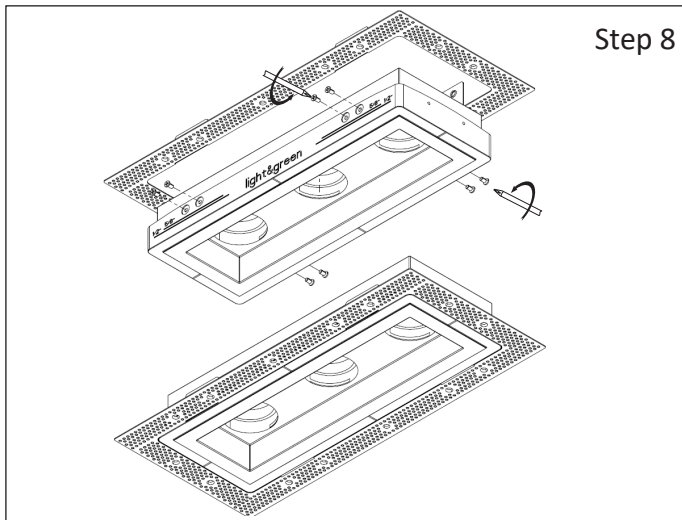
RECESSED CEILING MOUNT LUMINAIRE: Model:
LG-9111 HARMONY FIXED DOWNLIGHTS



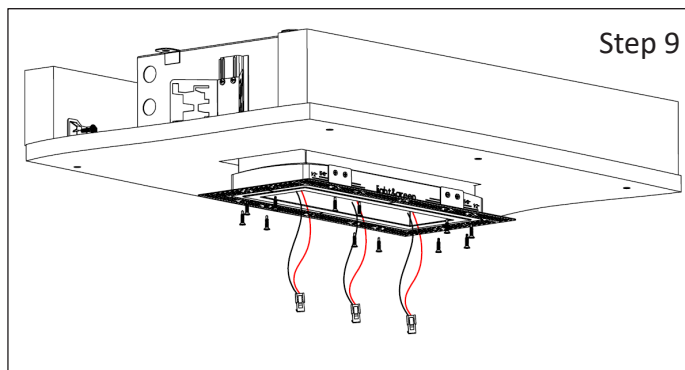
Step 7 - Cut-Out Dry-wall and Install to Ceiling Joist:
a. Mark the Fixture location on Dry-wall "Sheet" and cut-out.



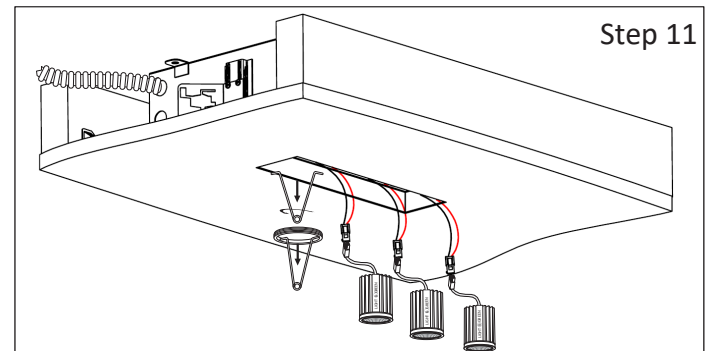
Step 10 - Plastering Ceiling Cut-Out with fixture and Paint
a. Apply mudding tape, joining **ONLY** the outer lip of the fixture to cover the drywall **DO NOT OVERLAP TAPE**
b. Mud over the face of the fixture, avoiding the opening (APERTURE). Remove excess mud from the opening using finger or blunt object, reestablishing the shape of the opening. Repeat this step until you reach desired texture
c. Insert Foam (provided) to cover the Fixture Hole and Spray Paint Fixture Interior Walls to match Ceiling Paint Finish.
DO NOT USE BRUSH TO PAINT FIXTURE!!!



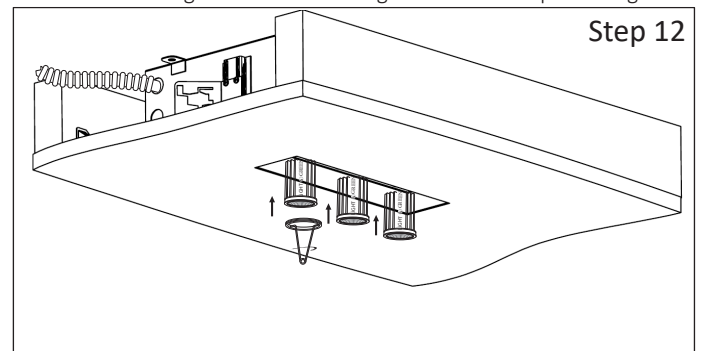
Step 8 - Harmony trim assembly:
a. Assemble Harmony trim with mesh by aligning hole of mesh and Harmony trim
b. Secure with 2 screw on each side (Provided)



Step 9 - Attach Harmony trim to Fixture:
a. Align Harmony trim assembly and insert in the Cut-out.
b. Secure Harmony trim assembly with (plaster/sheetmetal screws (12) by others)



Step 11 - Remove Fixture Ring and Connect LED Light:
a. Insert Ring Clip and Turn Counterclockwise to remove LED Ring Holder.
b. Connect LED Light and insert through Fixture and replace Ring.



Step 12 - Replace Fixture Ring and Install LED Light:
a. Insert LED Light and Turn Clockwise Fixture Ring to hold LED.

