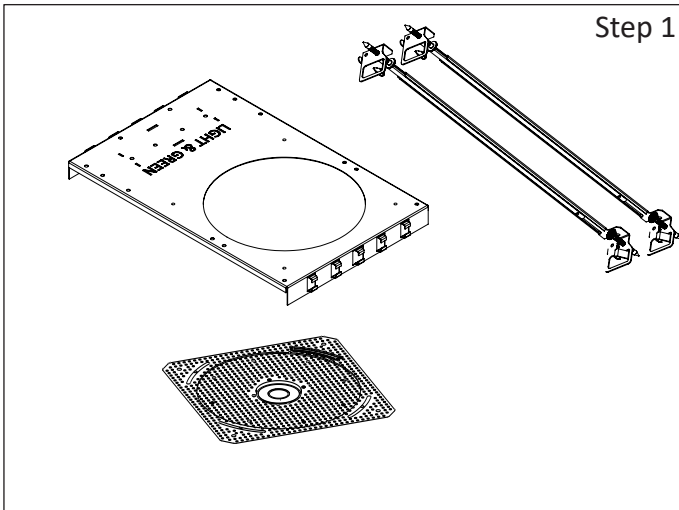


INSTALLATION INSTRUCTIONS

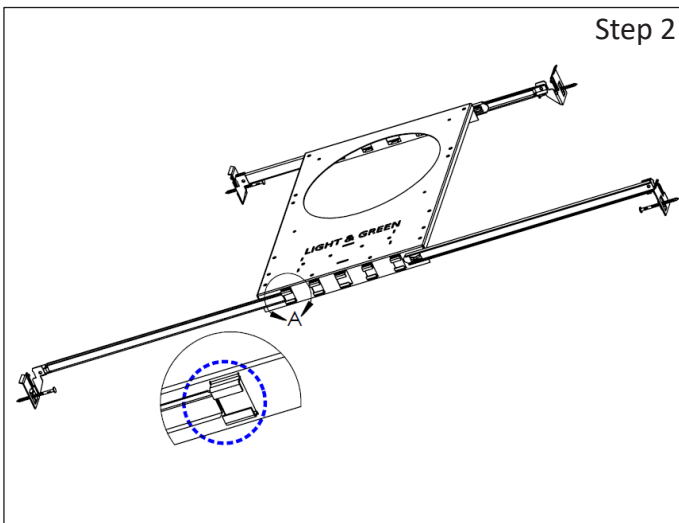
PREPARING THE LUMINAIRE

RECESSED CEILING MOUNT LUMINAIRE:
Model: SPOT ROUND / SQUARE DOWNLIGHTS

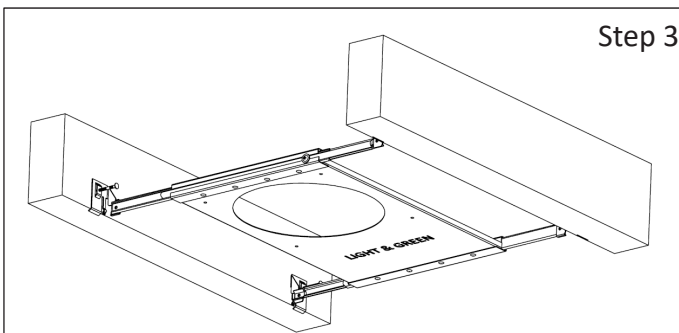
SAVE THESE INSTRUCTIONS



Step 1 - Luminaire Parts and Tools for Installation:
a. Unpack all Fixture Part and get to know them for easy Installation.



Step 2 - Install hanger bars to Fixture:
a. Align the hanger bars to the outside rectangular holes of plaster plate; indicated by dash circle. (Provided).

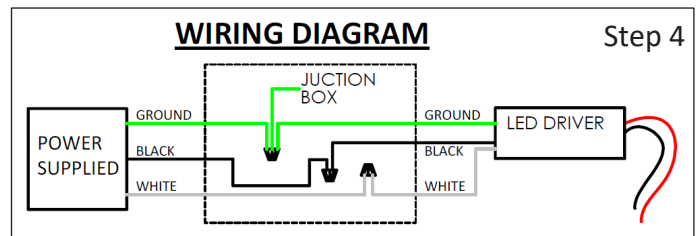


Step 3 - Install Fixture Assembly to Wood-Joist:
a. Select the location to Install this Fixture on Ceiling.
b. Place Hanger Bar to Wood Joist and secure using the captive Nails.

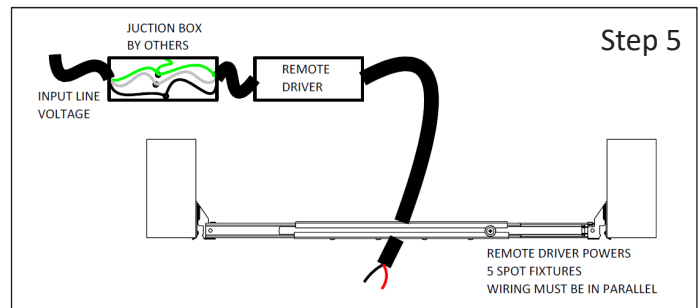
READ AND UNDERSTAND ALL INSTRUCTIONS BEFORE INSTALLATION. IF YOU ARE NOT FAMILIAR WITH THE NATIONAL ELECTRICAL CODE (NEC), CONTACT A QUALIFIED ELECTRICIAN TO INSTALL THIS LUMINAIRE.

WARNING - Before installing this luminaire or doing any maintenance, turn off the power supply at the circuit breaker or fuse box. Turning the power off using the light switch is not sufficient to prevent electrical shock.

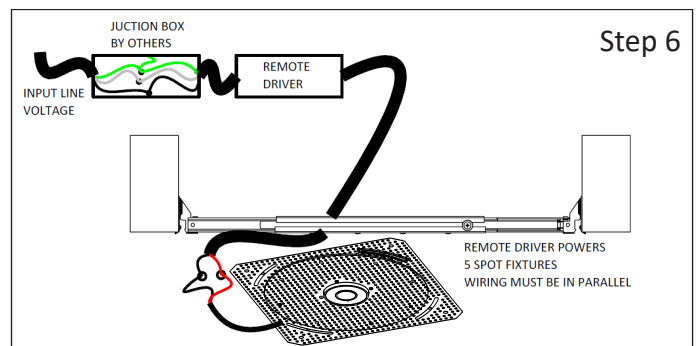
NOTE:
To re-lamp, replacement parts or additional information, contact or visit manufacturer at www.lightandgreen.com.



Step 4 - Connect Power Supply to remote driver/J-Box:
a. Connect Power Supply using Conduit Fitting (By Others) to remote J-Box (by others).
b. Make line voltage connect to remote driver/j-box, see Wire Diagram.



Step 5 - Run led connection to 5 Spot fixtures:
a. Run Led connection to fixture.



Step 6 - Test fixtures:
a. Connect fixture and test all five connections.
b. After confirming all five connections work disconnect and save fixture until STEP 8.

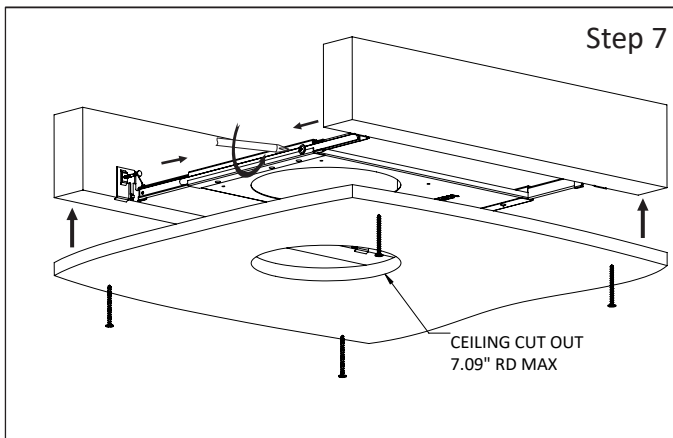
INSTALLATION INSTRUCTIONS

PREPARING THE LUMINAIRE

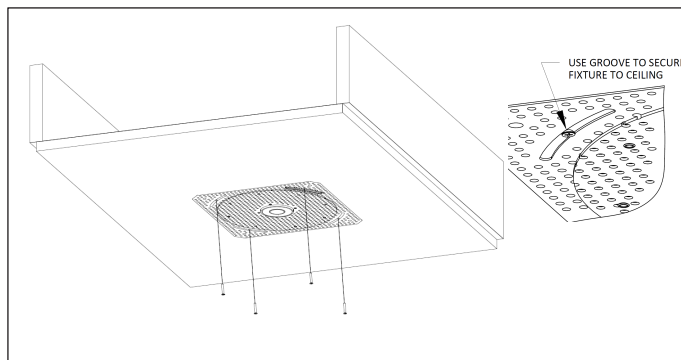
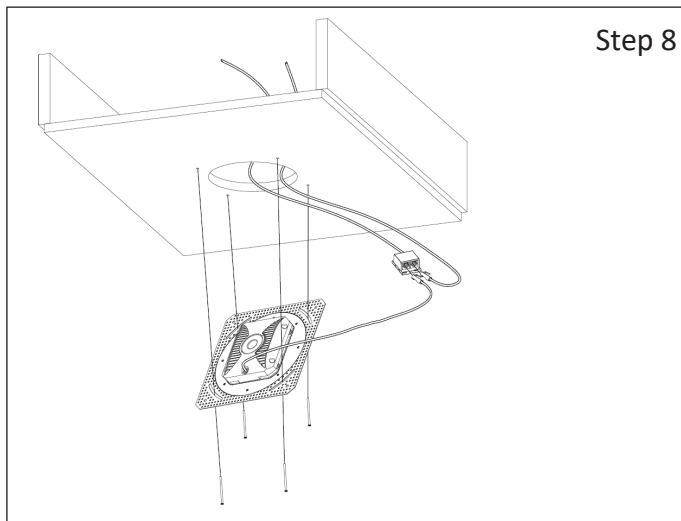
RECESSED CEILING MOUNT LUMINAIRE:

Model: LG-1005 ROUND / SQUARE DOWNLIGHTS

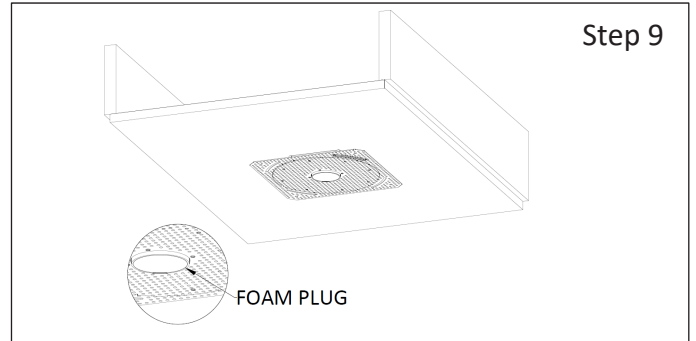
SAVE THESE INSTRUCTIONS



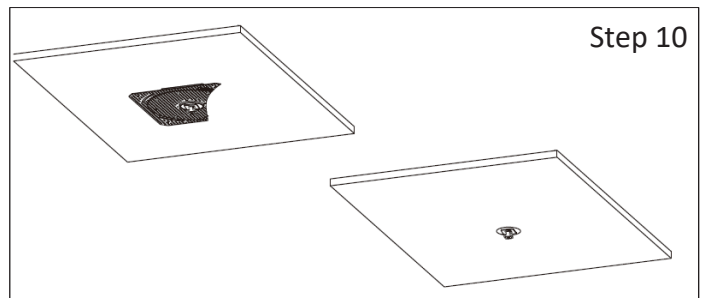
- Step 7 - Cut-Out Dry-wall and Install to Ceiling Joist:**
- Mark the Fixture location on Dry-wall "Sheet" and cut-out.
 - Slide Fixture through butterfly brackets to Center the Ceiling Cut-out and Lock position using screw (provided).
 - Align the Cut-out with Fixture.



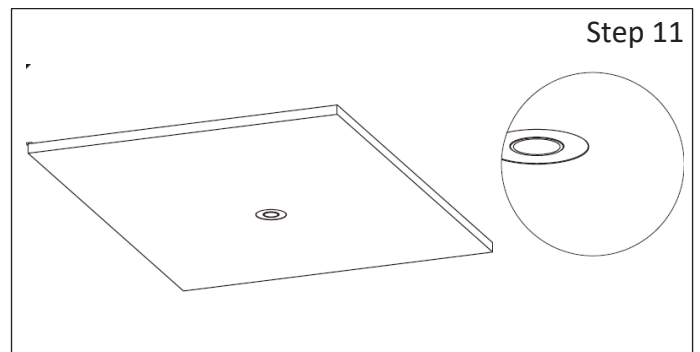
- Step 8 - Attach Spot fixture to ceiling:**
- Align Spot trim assembly and insert in the Cut-out.
 - Secure Spot trim assembly with plaster/sheetmetal screws(4) through groove slots.



- Step 9 - Prepare fixture for mudding:**
- Leave the foam plug in place.



- Step 10 - Plastering Ceiling Cut-Out with fixture and Paint:**
- Apply mudding up to the face of the fixture, make sure no to cover face of the fixture. Remove any excess mud from the face of the fixture using finger or blunt object, reestablishing the shape of the opening. Repeat this step until your reach desired texture
 - Paint ceiling.



- Step 11 - Remove foam plug check ceiling finish:**
- Remove foam plug and check ceiling finish, repair and repaint if needed.
 - Press the light cover plate and rotate LEFT to make it returns to surface of the ceiling and confirm fixture lights.

