

INSTALLATION INSTRUCTIONS



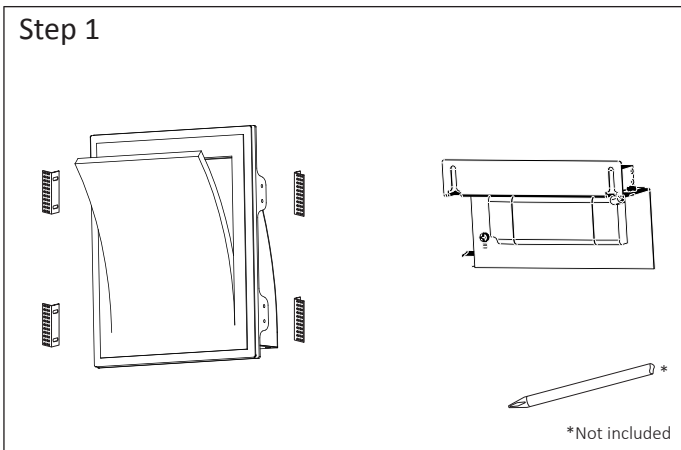
PREPARING THE LUMINAIRE

HARMONY RECESSED STEPLIGHT LED

Model: LG-4008

SAVE THESE INSTRUCTIONS

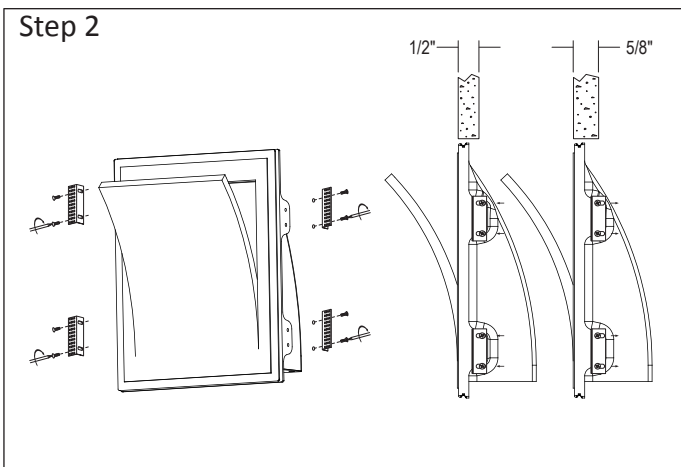
Step 1



Step 1 - Luminaire Parts and Tools for Installation:

a. Unpack all fixture parts and get to know them.

Step 2



Step 2 - Install Adjustable Bracket to Fixture:

- Place brackets to fixture and fasten them using two screws on each side of fixture.
- Adjust bracket for dry-wall thickness, (Maximum 5/8").
- For stucco finish, please contact Light & Green for additional instructions.
- NOTE:** You may need to set the brackets back further to account for your screw head thickness after mounting the brackets to wall studs.

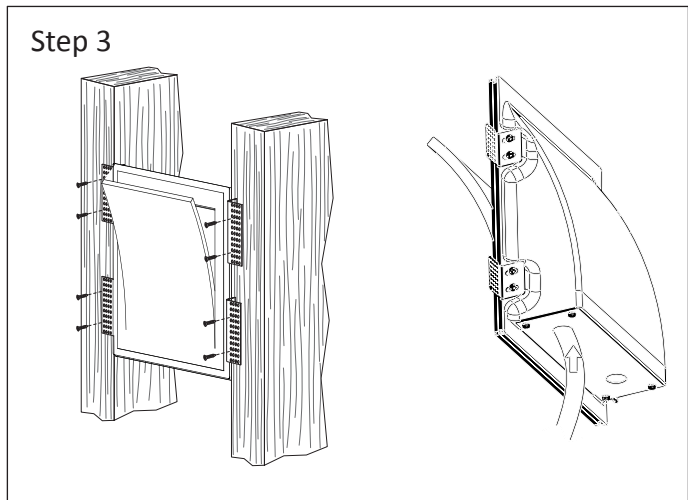
READ AND UNDERSTAND ALL INSTRUCTIONS BEFORE INSTALLATION. IF YOU ARE NOT FAMILIAR WITH THE NATIONAL ELECTRICAL CODE (NEC), CONTACT A QUALIFIED ELECTRICIAN TO INSTALL THIS LUMINAIRE.

WARNING - Before installing this luminaire or doing any maintenance, turn off the power supply at the circuit breaker or fuse box. Turning the power off using the light switch is not sufficient to prevent electrical shock.

NOTE:

For replacement parts or additional information, contact the manufacturer or visit www.lightandgreen.com.

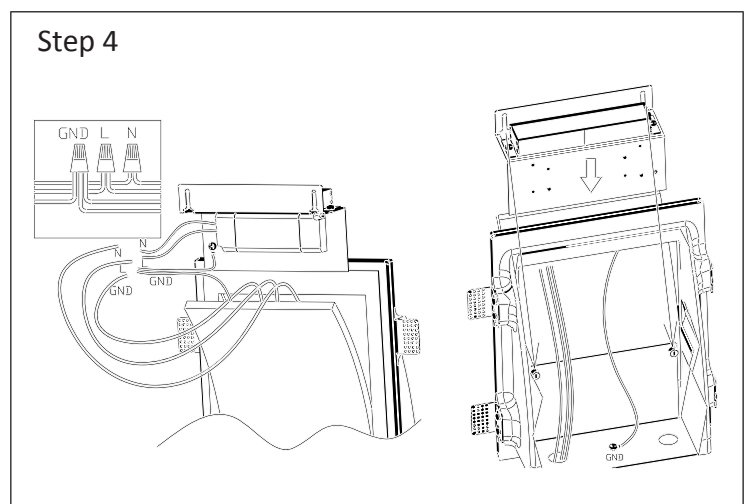
Step 3



Step 3 - Install Wall Fixture

- Mount wall fixture to wall studs using proper screws (provided by others).
- Run line voltage wires* through the fixture opening to connect LED plate

Step 4



Step 4 - Preparing to Install LED Module

- Unscrew the LED case cover and slide it up to access the wires.
- Insert the LED wires through the cover top hole and make wiring connections as per diagram on spec sheet.

INSTALLATION INSTRUCTIONS



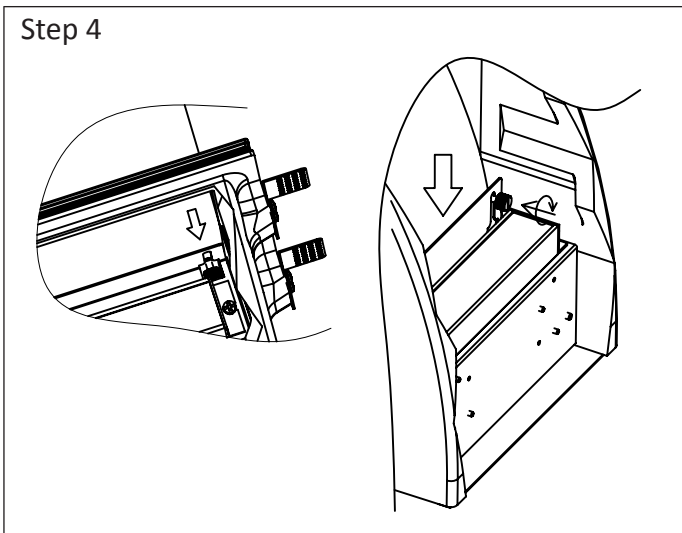
PREPARING THE LUMINAIRE

HARMONY RECESSED STEPLIGHT LED

Model: LG-4008

SAVE THESE INSTRUCTIONS

Step 4



Step 4 - Connect and Install LED Module:

- Push wiring connection into case and replace the cover with screw.
- IT'S RECOMMENDED TO TURN ON LED MODULES TO CHECK WIRING CONNECTIONS AND PROPERLY WORKING BEFORE PAINTING!!!**

READ AND UNDERSTAND ALL INSTRUCTIONS BEFORE INSTALLATION. IF YOU ARE NOT FAMILIAR WITH THE NATIONAL ELECTRICAL CODE (NEC), CONTACT A QUALIFIED ELECTRICIAN TO INSTALL THIS LUMINAIRE.

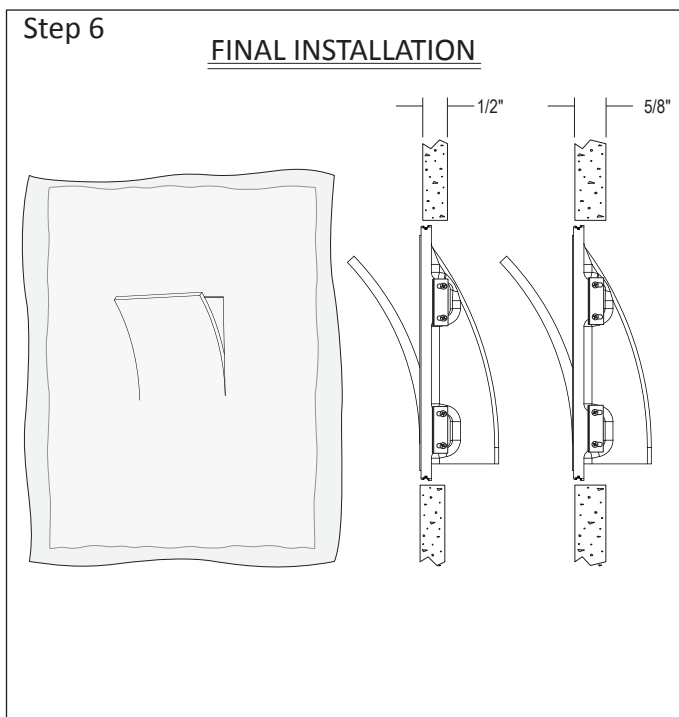
WARNING- Before installing this luminaire or doing any maintenance, turn off the power supply at the circuit breaker or fuse box. Turning the power off using the light switch is not sufficient to prevent electrical shock.

NOTE:

For replacement parts or additional information, contact the manufacturer or visit www.lightandgreen.com

Step 6

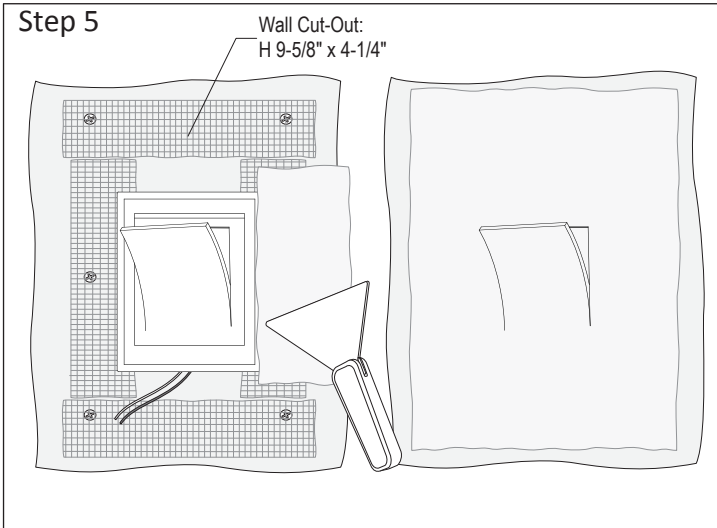
FINAL INSTALLATION



Step 6- Painting the Fixture to Match the Wall Finish:

- This fixture is paintable including the inside walls to match the finish and texture of the wall.
- RECOMMEND TO TAPE LED PLATE WITH TAPE**

Step 5



Step 5 - Plastering Wall Cut-Out and Fixture:

- Install drywall so that it is flush with the outer lip of the fixture, adjust the brackets if necessary.
- Plaster to cover the gap between the fixture and wall cut-out. Apply mudding tape, joining **ONLY** the outer lip of the fixture to the drywall. **DO NOT OVERLAP TAPE.**
- Mud over the face of the fixture, avoiding the opening. Remove excess mud from the opening using your finger or blunt object, reestablishing the shape of the opening. Repeat this step until you reach desired texture. Sand and paint*.

*Only paint the opening of the fixture using a spraying method.